

Briggs & Stratton Service Tools Catalog



BRIGGS & STRATTON

Copyright © 2001 by Briggs & Stratton Corporation

All rights reserved. No part of this book may be reproduced or transmitted, in any form or by any means, electronic or mechanical, including photocopying, recording or by any information storage and retrieval system, without permission in writing from Briggs & Stratton Corporation.

TOOLS

Section Contents

Part #	Page	Part #	Page	
4185	Thread Refill 10-32	31	@19173 Reamer – Finish	6
4186	Thread Refill 1/4-20	31	@19174 Reamer – Counterbore	6
4187	Thread Refill 5/16-18	31	@19175 Reamer – Finish	6
4188	Thread Refill M5x.8	31	19178 Plug Gauge – Main Bearing	6
4189	Thread Refill M6x1	31	19179 Bushing Driver	6
4190	Thread Refill M8x1.25	31	19182 Puller Nut	4
4191	Thread Refill 14mm Spark Plug-3/8”	31	@19184 Tool Kit – Main Bearing	6
4192	Thrd Refill 14mm Spk Plg-3/4” Vanguard™	31	@19186 Reamer Guide Bushing	5
5054B	Rewind Tool	14	19191 Reamer Guide	10
5056B	Pump, Oil Evacuator	14	19199 Dial Caliper	15
19055	Plug Gauge – Plunger	14	19200 Tachometer	11
19056	Reamer – Plunger	14	@19201 Reamer Guide Bushing	6
19057	Bushing Driver – Plunger	14	19203 Flywheel Puller	11
19058	Reamer – Plunger	14	19204 Bushing Driver	9
19061	Screwdriver – Carb. Jet	14	19205 Hone Set	12
19062	Screwdriver – Carb. Jet	14	19206 Stone Set	7
19063	Valve Spring Compressor	11	19207 Stone Set	7
19064	Reamer – Valve Guide	10	19208 Stone Retainer Springs	7
19066	Reamer – Valve Guide	10	19209 Drive Shank	7
19069	Flywheel Puller	11	19210 Stop – Hone	7
19070	Piston Ring Compressor	11	19211 Hone Set	7
@19094	Pilot Guide Bushing	5	19212 Stone Set	7
@19095	Reamer – Finish	5	19213 Stone Set	7
@19096	Pilot	5, 5	19214 Stone Carrier	7
@19097	Pilot Guide Bushing	5	19215 Stone Set	7
@19099	Reamer – Counterbore	5	19216 Stone Springs	7
@19101	Reamer Guide Bushing	5	19217 Drive Shank	7
19122	Plug Gauge – Valve Guide	10, 11	19218 Extension	7
19123	Cylinder Support Jack	5	19219 Plug Gauge – Main Bearing	8
19124	Bushing Driver	5	19220 Pilot Guide Bushing	8
19126	Expansion Pilot	4	19222 Reamer Guide Bushing	8
19127	Expansion Pilot	4	19223 Pilot	8
@19129	Cutter Shank	4	19224 Reamer – Counterbore	8
@19130	T-Handle	4	19226 Bushing Driver	8
19135	Knockout Pin	4	19227 Cylinder Support Jack	8
19136	Insert Driver	4	19228 Tool Kit – Main Bearing	8
19137	T-Handle	4	@19229 Tang Bender	11
19138	Valve Seat Puller Kit	5	19230 Piston Ring Compressor	11
19139	Puller Nut	4, 13	19231 Reamer – Counterbore	9
19140	Puller Nut	4	19232 Repair Kit – Valve Guide	9
19141	Puller Nut	4	19233 Reamer – Finish	9
19151	Plug Gauge – Valve Guide	9, 11	19234 Reamer Guide	9
@19158	Tool Kit – Main Bearing	4	19237 Valve Seat Cutter Kit	9
19164	Plug Gauge – Cam Bearing	14	19238 Puller Bolt	9
19165	Flywheel Puller	11	19239 Puller Nut	9
19166	Plug Gauge – Main Bearing	5	19240 Puller Washer	9
19167	Flywheel Holder	11	19244 Clutch Wrench	11
@19169	Pilot Guide Bushing	6	19245 Tap Set	15
@19170	Reamer Guide Bushing	6	19256 Brake Adjustment Gauge	11
@19171	Reamer Guide Bushing	6	19258 Valve Lapper	11

@ Subject to remaining factory inventory

Section Contents, Cont.

Part #	Page	Part #	Page
@19260 Trip Cord	13	19395 Pilot Nut	13
19263 Screwdriver – Carb. Adjustment	11	19396 Pilot	13
19264 Tap – 9 mm	9	19397 Adapter/Driver	13
19266 Suction Cup	11	19398 Puller Stud	13
@19267 Suction Cup	11	19400 Spark Tester 3/LC Engines	19
19268 Suction Cup	11	19401 Bearing Driver	13
19269 Repair Kit – Valve Guide	10	19404 Telescoping Gauge	19
19270 Puller Washer	10	19406 Puller Nut	13
19271 Puller Bolt	10	19407 Ball Bearing Tool Kit	13
19272 Puller Nut	10	19408 Puller Stand Off	13
19273 Tap – 7 mm	10	19416 Driver, Valve Guide	20
@19278 Test Plug Adapter	14	19417 Valve Spring Compressor	20
19280 Screwdriver – Carb. Jet	11	19418 Flywheel Holder	20
@19281 Reamer – Counterbore	6	19419 Piston Pin Fixture	20
@19282 Reamer Guide Bushing	6	19420 Puller, Crankshaft Pulley	21
19300 Tool Kit – Basic	11	19421 Puller, Camshaft Bearing	21
19302 Valve Seat Cutter Repair Kit	9	19422 Driver, Camshaft Bearing	21
19303 Stone Set	12	19423 Driver, Seal	21
19304 Stone Set	12	19424 Driver, Seal	21
19305 Screwdriver – Offset	15	19433 Flywheel Strap Wrench	22
19310 Flywheel Holder	15	19434 Ft. Pound Torque Wrench	22
19318 Puller Bolt	12, 13	19435 C-Ring Installation Tool	22
19319 Support	12	@19436 C-Ring Removal Tool	22
19320 Driver	12, 13	19440 Support Driver	13
19332 Tool Kit – 2 Cycle	12	19441 Dial Indicator	22
19333 Reamer – Governor Bushing	16	19442 Torqux Star Bits	23
19340 Ring Expander	16	19443 Compression Test Adaptor	23
19343 Valve Seat Cutter Kit	12	19444 Valve Guide Reamer	23
19344 Roll Pin Driver	16	19445 Torx® Driver	23
19345 Reamer Guide	16	19446 Valve Seat Cutter Kit	23
19346 Reamer – Valve Guide	16	@19447 Replacement Drive Pins	22
19347 Valve Spring Compressor	16	19448 Replacement Strap	22
19349 Bearing Driver	16	19449 Replacement Fuse	25
19350 Bearing Driver	17	19450 Bearing Driver	24
19351 Cylinder Support	17	19454 Support	13
@19352 Tang Bender	17	19455 Torx® Socket	24
19353 Universal Socket	17	19456 Tachometer Adapter	24
19367 Bushing Driver – Valve Guide	10	19457 Diesel Tachometer	24
19368 Ignition Tester, Standard Engines	11	19458 14 MM Socket	24
@19373 Pilot Guide Bushing	4	19459 16 MM Socket	24
19374S Spark Plug Wrench	17	19460 Carburetor Socket Set	24
19375 Plug Gauge – Main Bearing	17	19461 Primer Bulb Removal Tool	24
19377 Plug Gauge – Main Bearing	17	19462 Primer Bulb Installation Tool	25
19378 Plug Gauge – Main Bearing	18	19463 Transducer	25
19380 Plug Gauge – Main Bearing	18	19464 Digital Multimeter	25
19381 Plug Gauge – Valve Guide	18	19465 Valve Adjustment Set	25
19382 Plug Gauge – Valve Guide	18	19467 Starter Ring Removal/Installation Tool	25
19383 Plug Gauge – Cam Bearing	18	19468 DC Shunt	26
19384 Plug Gauge – Cam Bearing	18	19475 Leakdown Tester	20
19385 Adjustment Gauge	18	19478 Orifice	26
19386 Plug Gauge – Cam Bearing	18	19480 Tang Bender	26
19387 Plug Gauge – Cam Bearing	19	19482 Individual Torqux Driver	29
19389 Tachometer/Hourmeter	19	19485 Telescoping Gauge	26
19391 Screwdriver – Offset	19	19487 Dial Bore Gauge	27
19393 Torque Wrench	19	19489 Flywheel Holder	27
19394 Support Driver	13	19491 Alternator Wrench	27

@ Subject to remaining factory inventory

Section Contents, Cont.

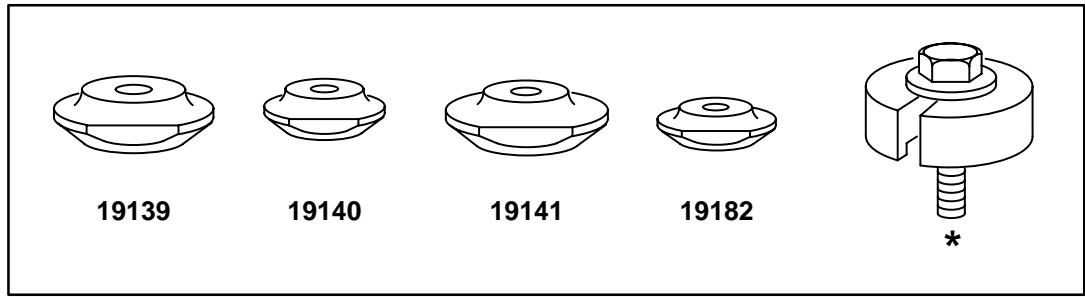
Part #		Page
19493	Mity Vac Pressure/Vacuum Pump	28
19495	Digital Crankcase Vacuum Tester	28
19497	Universal Socket	28
19499	AC/DC Current Clamp	29
19510	Individual Torqux Driver	29
19511	Individual Torqux Driver	29
19512	Individual Torqux Driver	29
19513	Individual Torqux Driver	29
19514	Individual Torqux Driver	29
19515	Individual Torqux Driver	29
19516	Individual Torqux Driver	29
19518	Torx Driver	29
19552	C-Ring Removal Tool	30
89838	Spark Plug Wrench	30
93963	Valve Guide Lubricant	11
94150	Valve Lapping Compound	11
94814	Puller Nut	13
100007	Thread Repair Kit 10-32	31
100008	Thread Repair Kit 1/4-20	31
100009	Thread Repair Kit 5/16-18	31
100010	Thread Repair Kit M5x.8	31
100011	Thread Repair Kit M6x1	31
100012	Thread Repair Kit M8x1.25	31
100013	Thread Repair Kit M14x1.25 Spark Plug ..	31
100022	Silencio Hearing Protectors	30
100023	Alcohol Tester	30
100024	Thread Repair Kit – Master	31
100054	Heavy Duty Shop Towels	30
225136	Washer	12, 13
271400	Spray Paint	31
271401	Spray Paint	31
271402	Spray Paint	31
271403	Spray Paint	31
271404	Spray Paint	31
271405	Spray Paint	31
271675	Spray Paint	31
Service	Tips & Tools	32

19138 VALVE SEAT PULLER KIT

KIT INCLUDES:

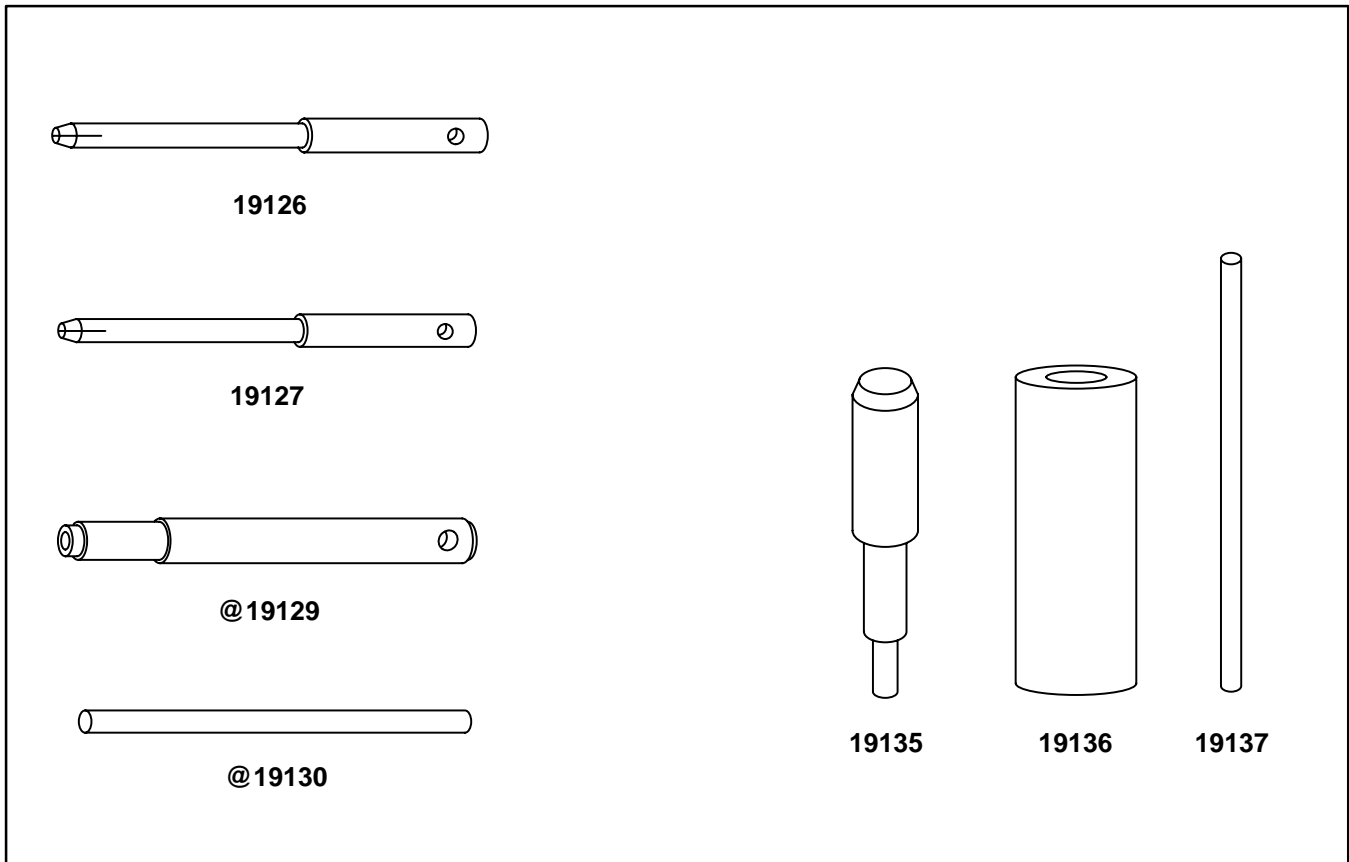
- 19139 Puller Nut
- 19140 Puller Nut
- 19141 Puller Nut
- 19182 Puller Nut

*Not available separately



NOTE: Each tool part number can also be ordered separately.

VALVE SEAT INSERT AND COUNTERBORE TOOLS



COUNTERBORE TOOLS USED ON CAST IRON ENGINE MODELS 5, 6, N, 8, 9, 14, 19, 20, 23, 240000, 300000, 320000

ORDER THESE TOOL PART NUMBERS SEPARATELY:

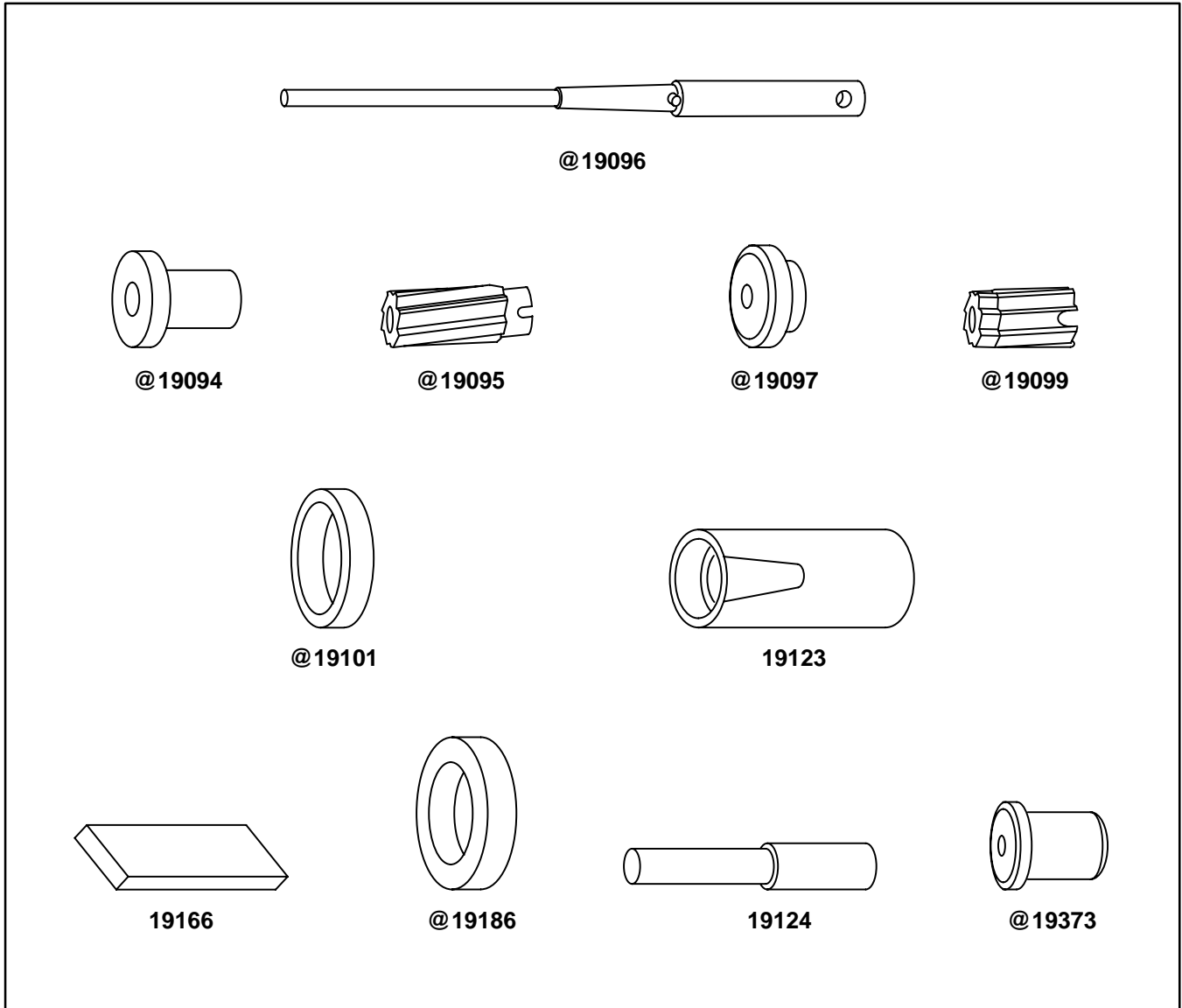
- | | |
|---|---------------------------|
| 19126 Expansion Pilot – 1/4" Valve Guide | 19135 Knockout Pin |
| 19127 Expansion Pilot – 5/16" Valve Guide | 19136 Insert Driver |
| 19129 Cutter Shank | 19137 T-Handle For Pilots |
| 19130 T-Handle For Cutter Shank | |

@ Subject to remaining factory inventory

@19158 MAIN BEARING TOOL KIT

ENGINE MODELS 6, 8, 6B, 8B, N, 90000, 100700*, 110000, 120000,* 130000*

*Mag. Side Only



KIT INCLUDES:

@19094	Pilot Guide Bushing	19123	Cylinder Support Jack
@19095	Reamer – Finish	19124	Bushing Driver
@19096	Pilot	19166	Plug Gauge
@19097	Pilot Guide Bushing	@19186	Reamer Guide Bushing
@19099	Reamer – Counterbore	@19373	Pilot Guide Bushing
@19101	Reamer Guide Bushing		

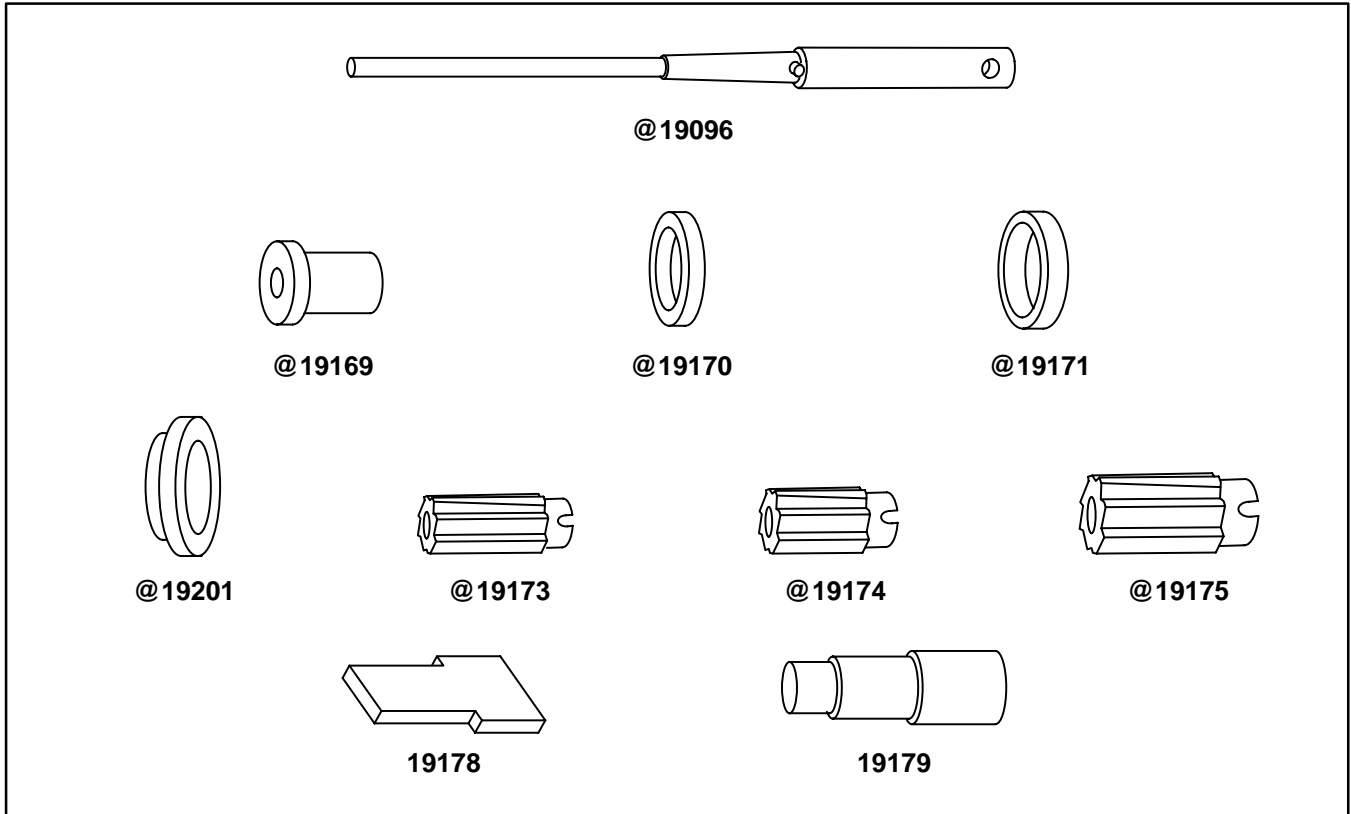
NOTE: Each tool part number can also be ordered separately.

@ Subject to remaining factory inventory

@19184 MAIN BEARING TOOL KIT

INSTALLING STEEL BACKED ALUMINUM BEARINGS IN ENGINE MODELS
130000*, 140000, 170000, 171000, 190000, 191000

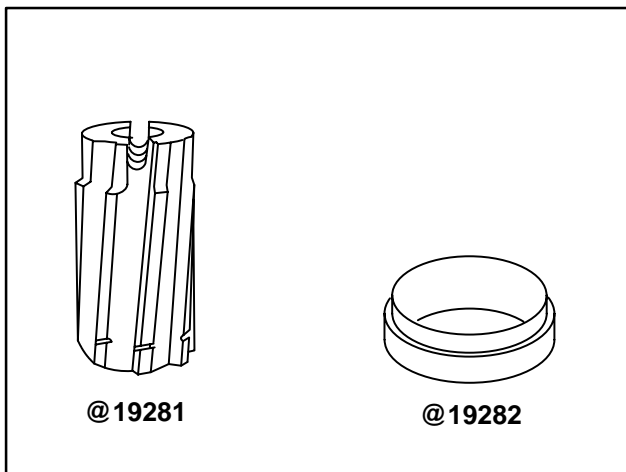
*PTO Side Only



KIT INCLUDES:

- | | | | |
|--------|----------------------|--------|----------------------|
| @19096 | Pilot | @19174 | Reamer – Counterbore |
| @19169 | Pilot Guide Bushing | @19175 | Reamer – Finish |
| @19170 | Reamer Guide Bushing | 19178 | Plug Gauge |
| @19171 | Reamer Guide Bushing | 19179 | Bushing Driver |
| @19173 | Reamer – Finish | @19201 | Reamer Guide Bushing |

NOTE: Each tool part number can also be ordered separately.



MAIN BEARING TOOLS

For installing DU bearing in PTO bearing:
Horizontal Crankshaft Engine Models
140000, 170000, 190000

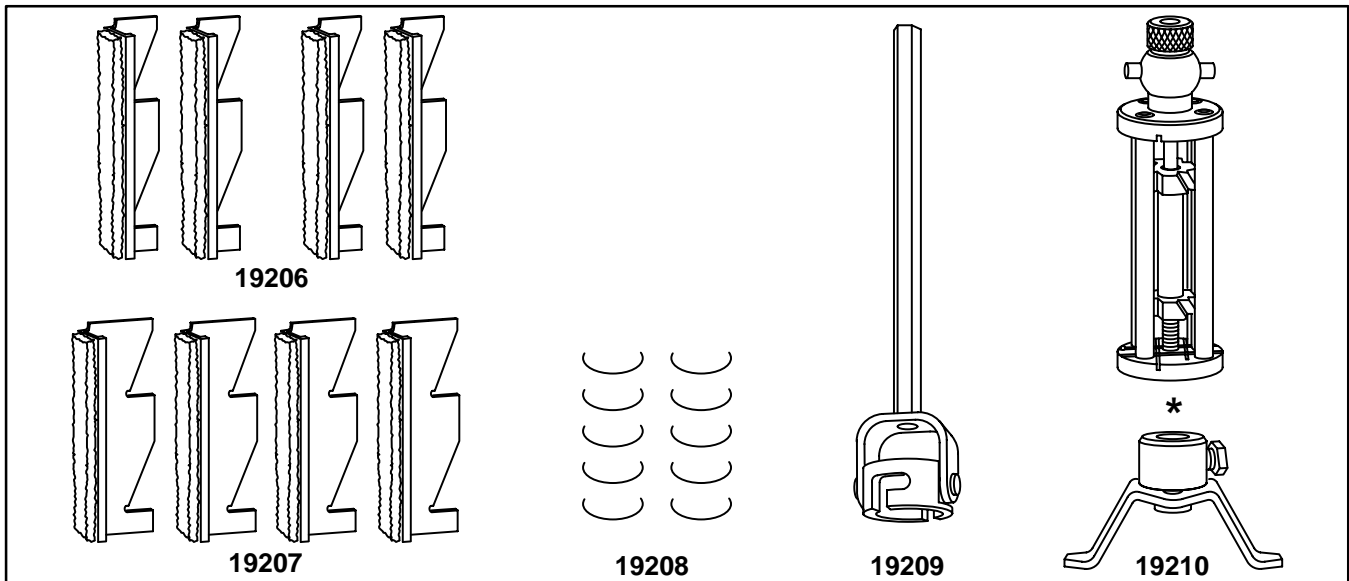
For installing DU bearing in MAG. bearing:
Vertical Crankshaft Engine Models
171000, 191000

- @19281 Reamer – Counterbore
- @19282 Reamer Guide Bushing “MAGNETO”

Use with 19096 pilot, 19179 bushing driver and 19227 cylinder support.

@ Subject to remaining factory inventory

19205 AMMCO HONE SET FOR ALUMINUM BORE ENGINES



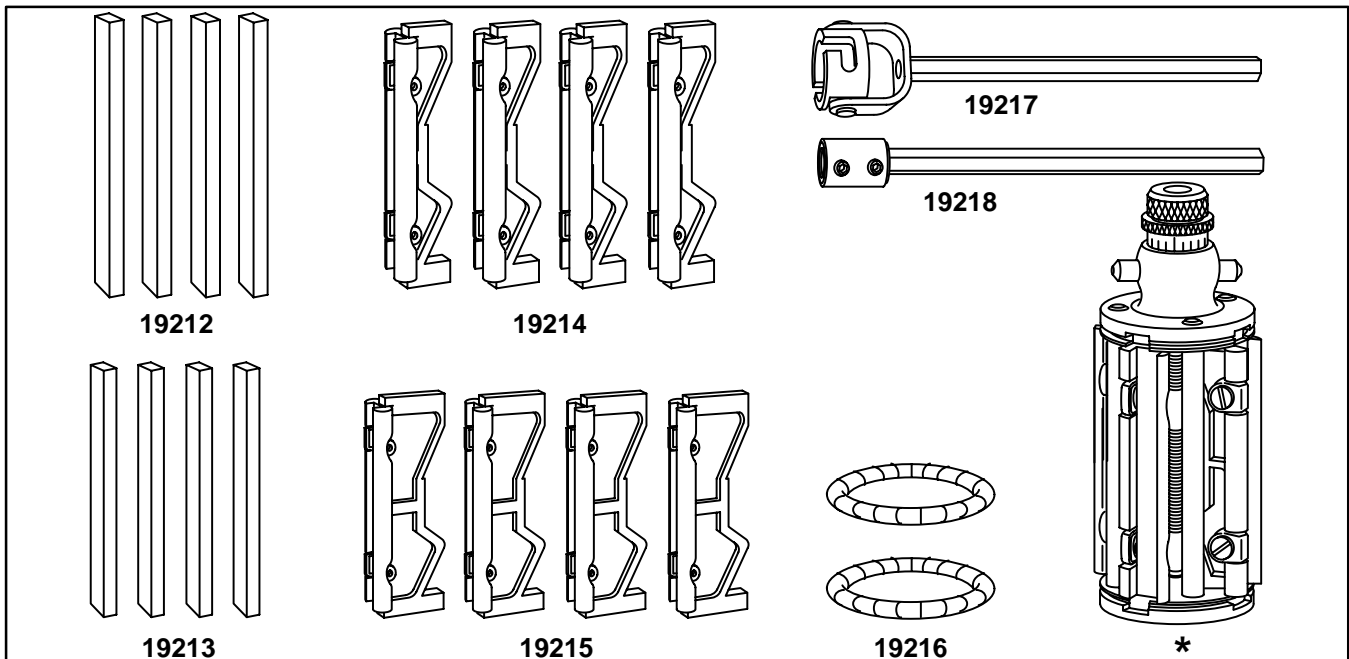
SET INCLUDES:

19206	Stone Set, 320 Grit, Range 1-7/8" to 2-3/4" (47.6 mm to 69.9 mm) For aluminum bore engines	19208	Stone Retainer Springs
19207	Stone Set, 320 Grit, Range 2-3/4" to 3-5/8" (69.8 mm to 92.0 mm) For aluminum bore engines	19209	Drive Shank
		19210	Stop

***Not Available Separately**

NOTE: Each tool part number can also be ordered separately.

19211 AMMCO HONE SET FOR CAST IRON BORE/SLEEVE ENGINES



SET INCLUDES:

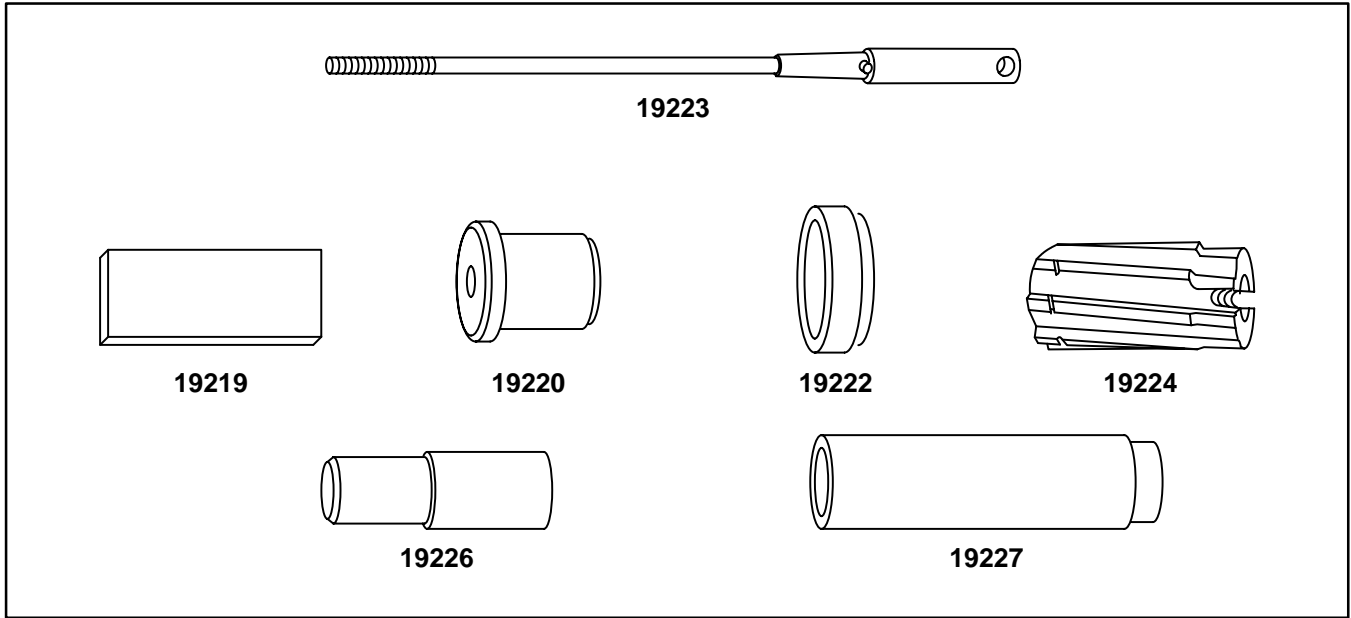
19212	Stone Set, 60 Grit for cast iron bore/sleeve engines	19215	Stone Carrier, Range 3-5/16" to 4-1/8" (84.1 mm to 104.8 mm)
19213	Stone Set, 220 Grit for cast iron bore/sleeve engines	19216	Stone Retainer Springs
19214	Stone Carrier, Range 2-1/2" to 3-5/16" (63.5 mm to 84.1 mm)	19217	Drive Shank
		19218	Extension

***Not Available Separately**

NOTE: Each tool part number can also be ordered separately.

19228 MAIN BEARING TOOL KIT

FOR SERVICING ENGINE MODELS 220000, 250000, 280000, 400000, 420000



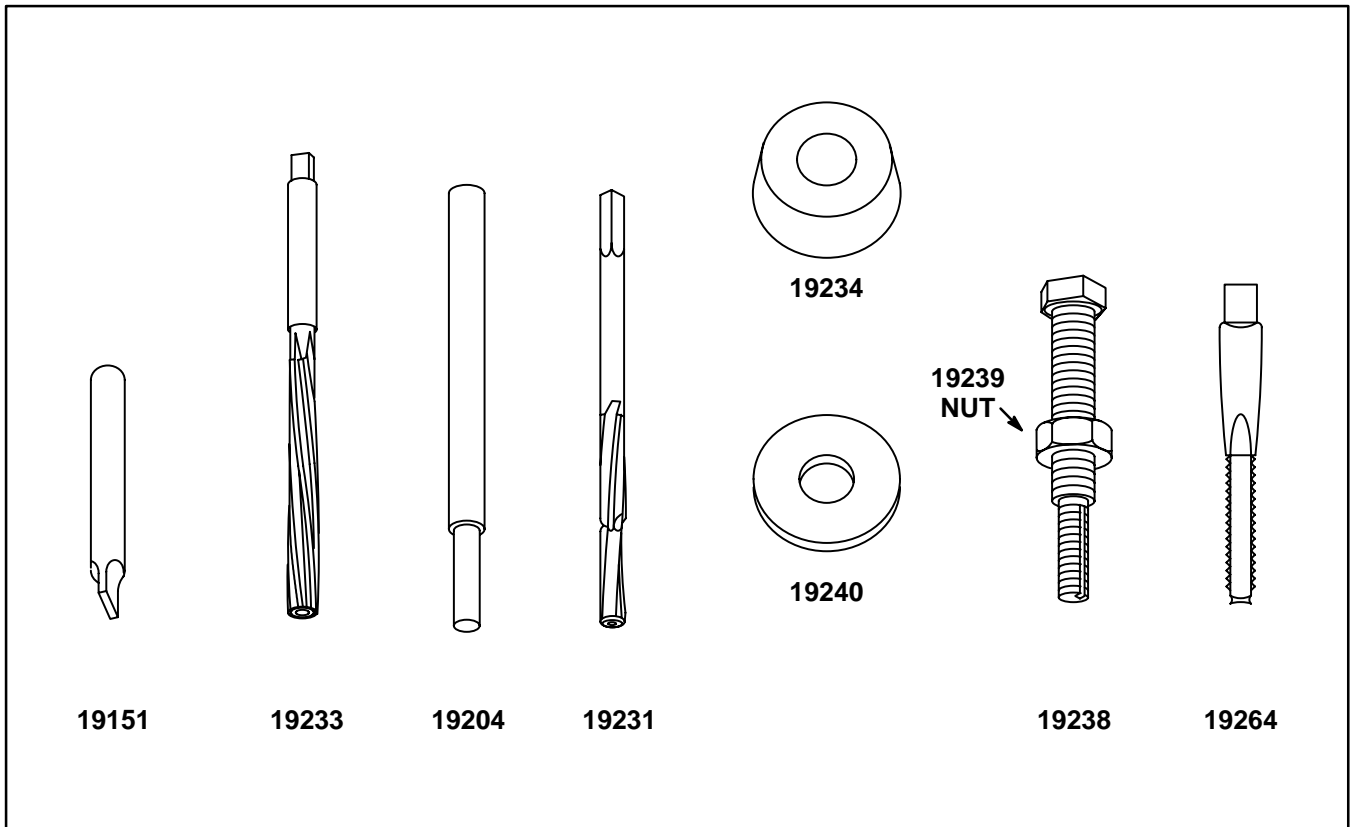
KIT INCLUDES:

19219	Plug Gauge	19224	Reamer – Counterbore
19220	Pilot Guide Bushing	19226	Bushing Driver
19222	Reamer Guide Bushing	19227	Cylinder Support Jack
19223	Pilot		

NOTE: Each tool part number can also be ordered separately.

19232 VALVE GUIDE REPAIR KIT

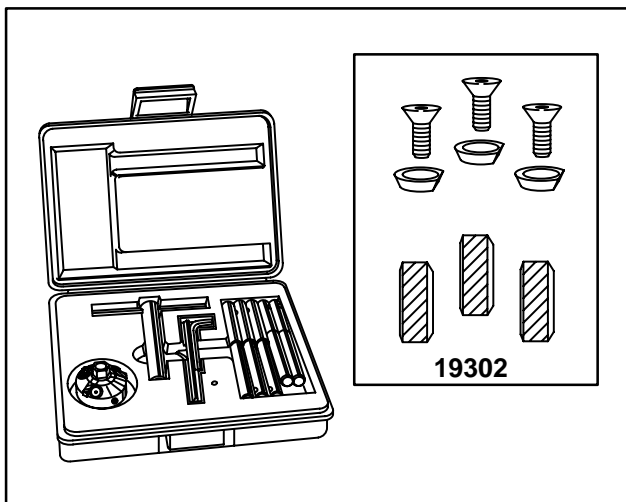
FOR SERVICING 5/16" VALVE GUIDES



KIT INCLUDES:

19151	Plug Gauge	19238	Puller Bolt
19204	Bushing Driver	19239	Nut
19231	Reamer - Counterbore	19240	Washer
19233	Reamer - Finish	19264	9 mm Tap
19234	Reamer Guide		

NOTE: Each tool part number can also be ordered separately.



19237 NEWAY VALVE SEAT CUTTER KIT

For reconditioning 30° and 45° angle valve seats.

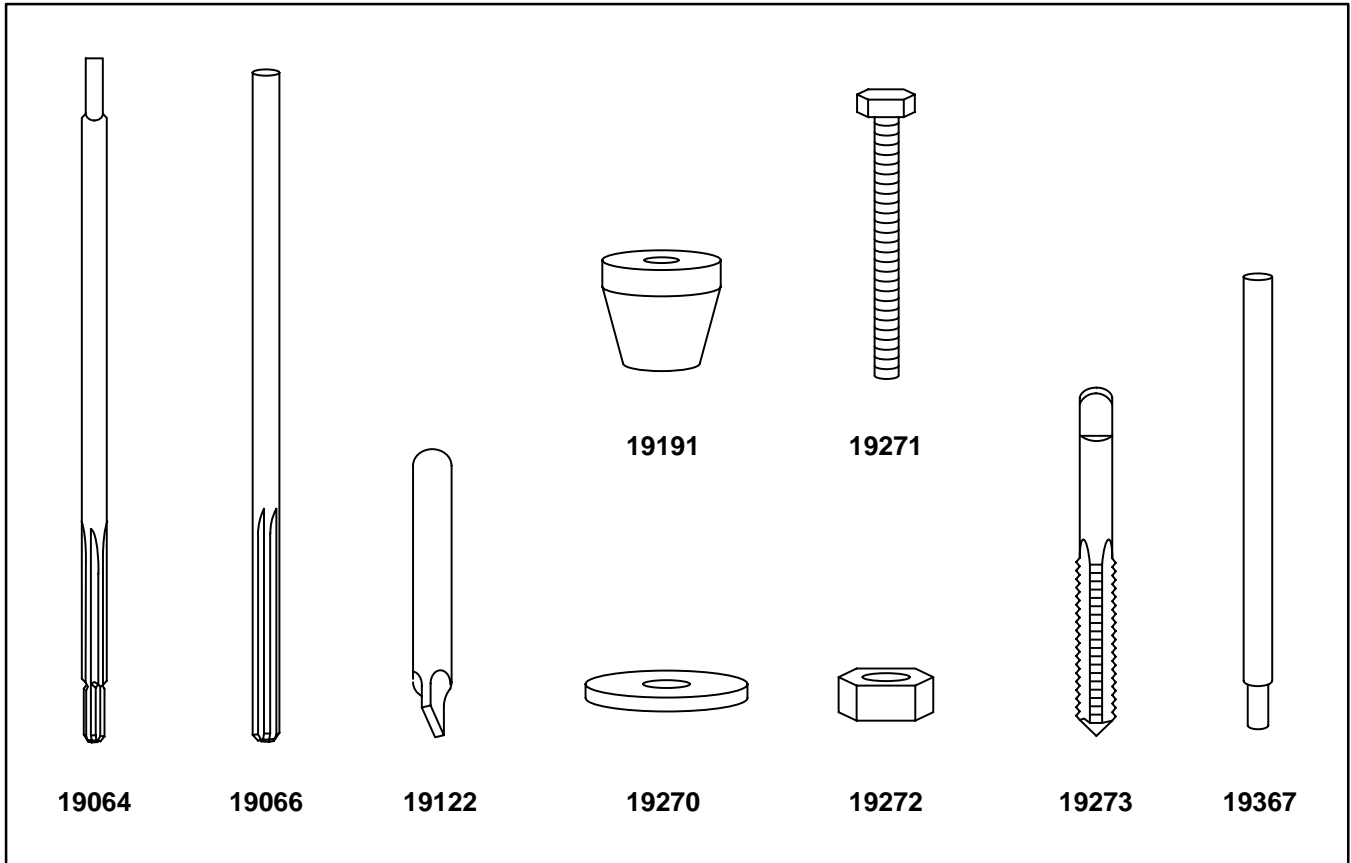
NOTE: For replacement tungsten carbide blade set, specify part number 19302. Set includes:

- 3 blades – use on either side of cutter head
- 3 set screws
- 3 wedges

Replace blades in sets only.

19269 VALVE GUIDE REPAIR KIT

FOR SERVICING 1/4" VALVE GUIDES

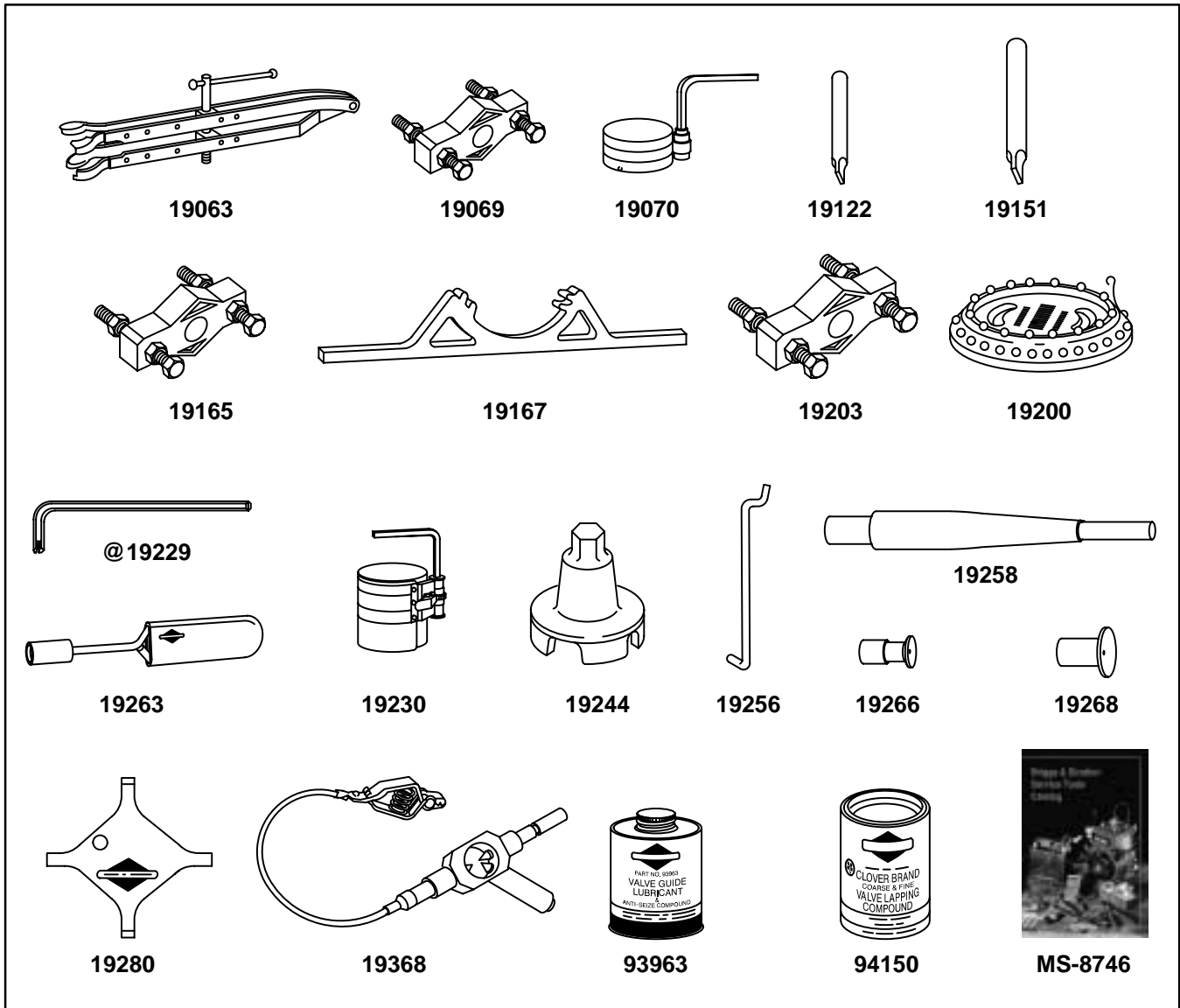


KIT INCLUDES:

19064	Reamer – Counterbore	19271	Puller Bolt
19066	Reamer – Finish	19272	Nut
19122	Plug Gauge	19273	7 mm Tap
19191	Reamer Guide	19367	Bushing Driver
19270	Washer		

NOTE: Each tool part number can also be ordered separately.

19300 BASIC TOOL KIT



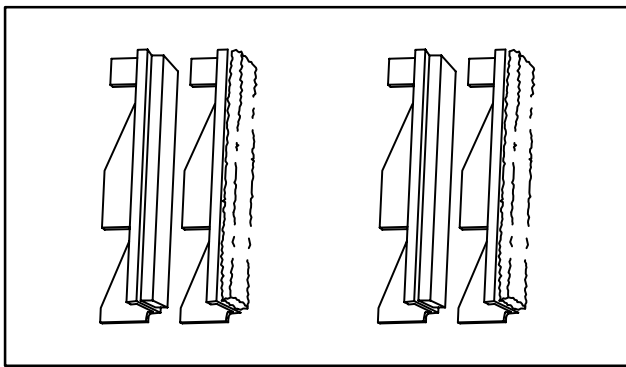
KIT INCLUDES:

19063	Valve Spring Compressor	19244	Starter Clutch Wrench
19069	Flywheel Puller	19256	Brake Adjustment Gauge
19070	Piston Ring Compressor (5 HP and below)	19258	Valve Lapper* (includes 19266 and 19268)
19122	Plug Gauge – 1/4" Valve Guide	19263	Screwdriver – Carburetor Adjustment
19151	Plug Gauge – 5/16" Valve Guide	19280	Screwdriver – Carburetor Jet – (4 Bladed)
19165	Flywheel Puller	19368	Tester – Ignition
19167	Flywheel Holder	93963	Lubricant – Valve
19203	Flywheel Puller	94150	Valve Lapping Compound
19200	Tachometer	MS-8746	Tool Catalog
@19229	Tang Bender		
19230	Piston Ring Compressor (above 5 HP)		

NOTE: Each tool part number can also be ordered separately.

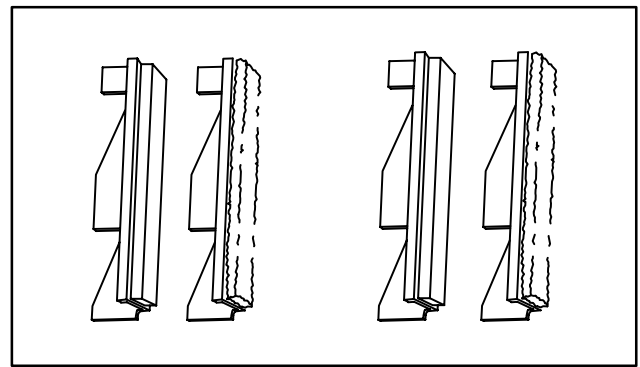
*To order replacement suction cups, specify:
 19266 – 3/4" (19.1 mm)
 @19267 – 1" (25.4 mm)
 19268 – 1-1/4" (31.8 mm)

@ Subject to remaining factory inventory



19303 STONE SET

60 grit, range 1-7/8" to 2-3/4" (47.6 mm to 69.9 mm).
Use with 19205 hone set see page 7 for cast iron bore/sleeve engines.

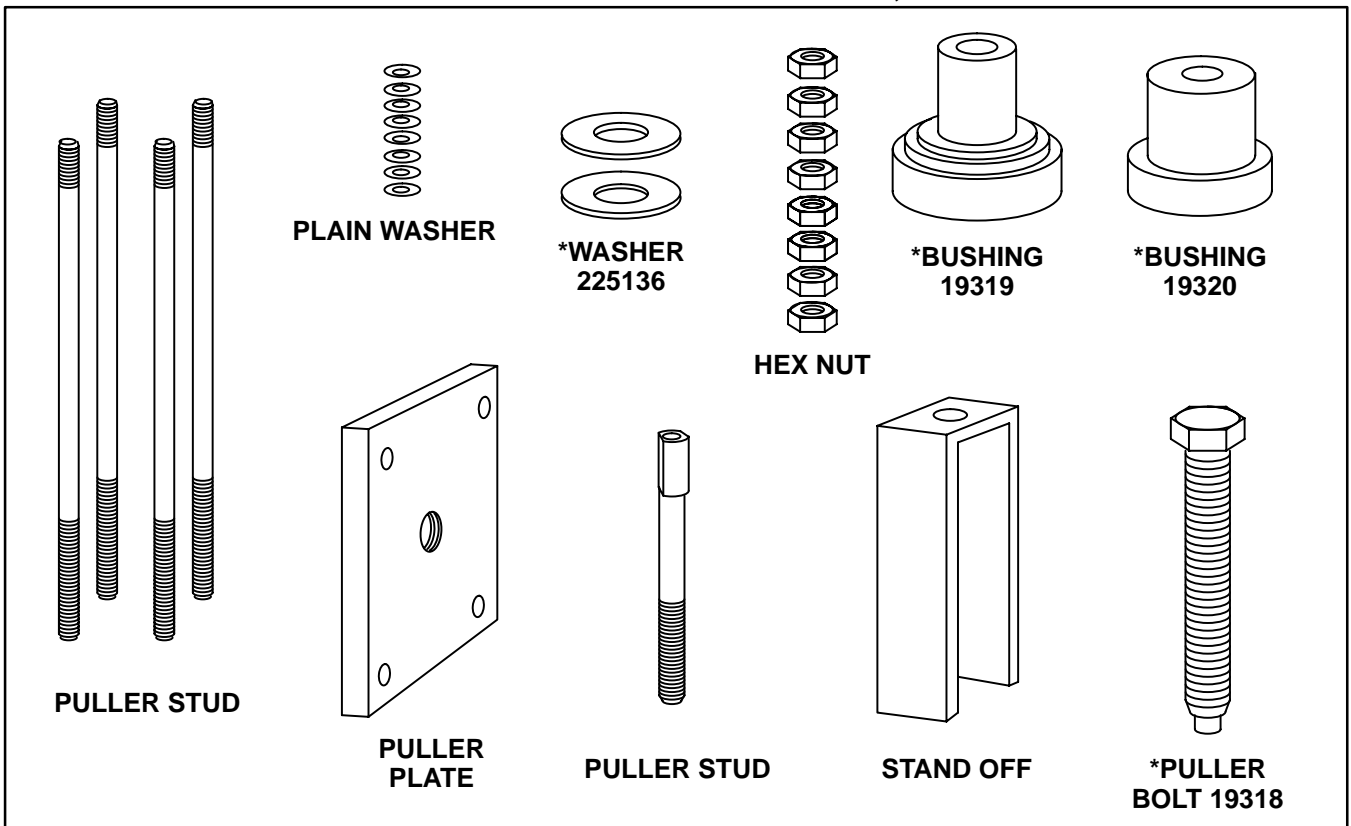


19304 STONE SET

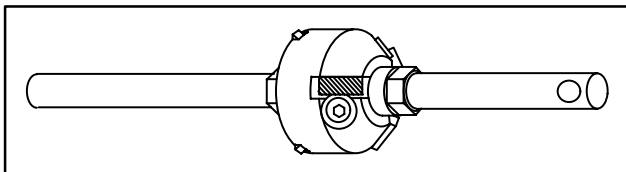
220 grit, range 1-7/8" to 2-3/4" (47.6 mm to 69.9 mm).
Use with 19205 hone set see page 7 for cast iron bore/sleeve engines.

19332 2-CYCLE TOOL KIT

FOR SERVICING ENGINE MODELS 95700, 96700



*Part numbers, 225136, 19318, 19319 and 19320 can be ordered individually. All other parts are not available individually and must be ordered as a kit.

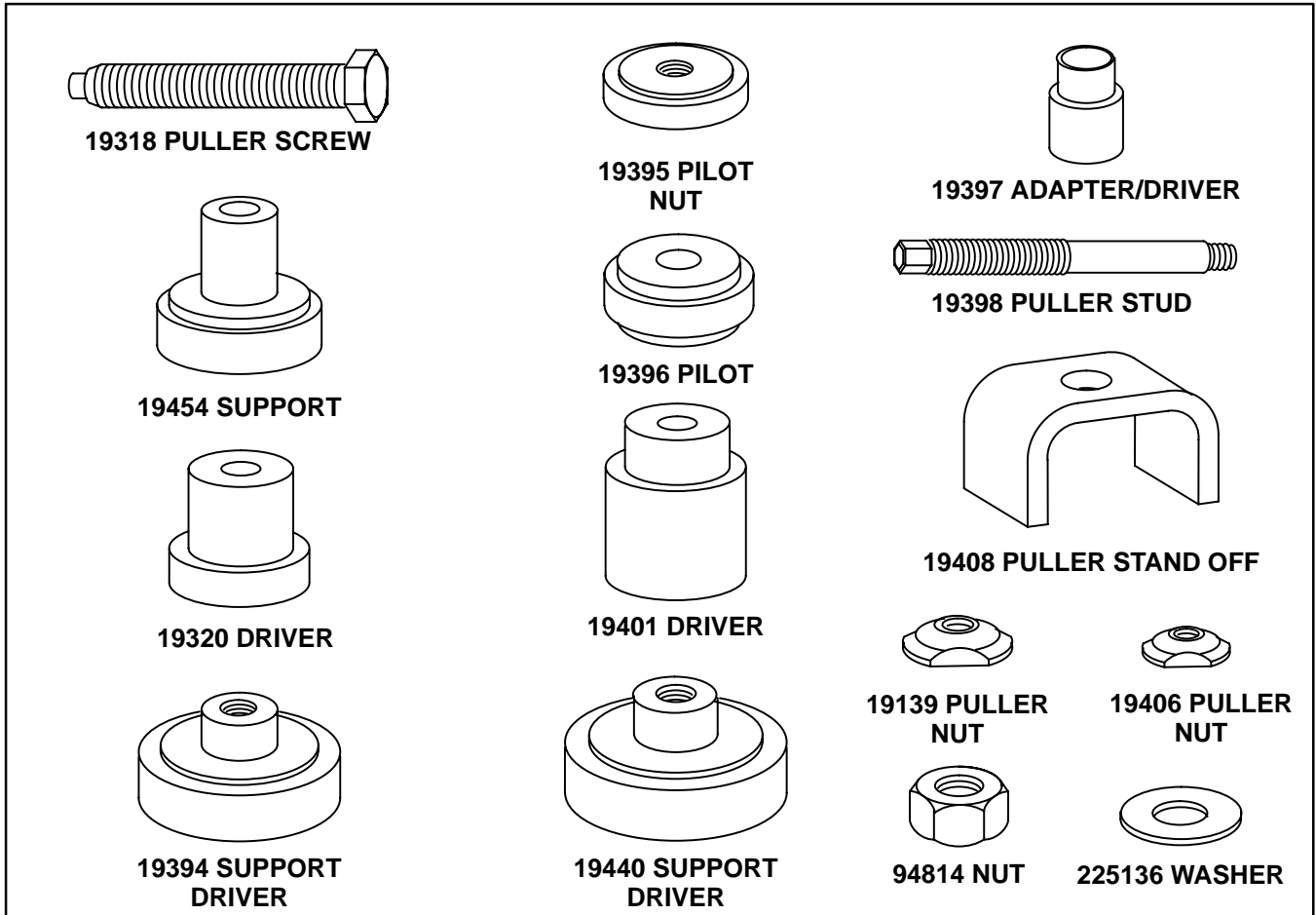


19343 VALVE SEAT CUTTER KIT

For use on Quantum® and Vanguard™ OHV engines.
Includes 6 mm pilot for Vanguard™ engines.

19407 MAIN BEARING TOOL KIT

FOR SERVICING ENGINE MODELS 85400, 115400, 185400, 245400

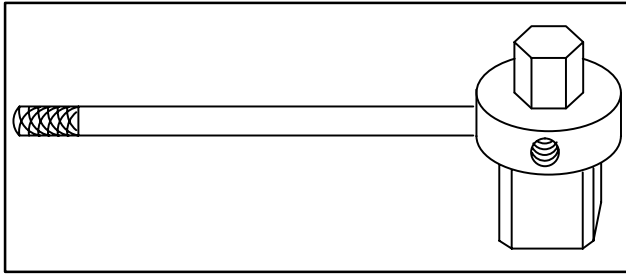


KIT INCLUDES:

- | | | | |
|-------|----------------|--------|------------------|
| 19139 | Puller Nut | 19398 | Puller Stud |
| 19318 | Puller Screw | 19401 | Driver |
| 19454 | Support | 19406 | Puller Nut |
| 19320 | Driver | 19408 | Puller Stand Off |
| 19394 | Support Driver | 19440 | Support Driver |
| 19395 | Pilot Nut | 94814 | Nut |
| 19396 | Pilot | 225136 | Washer |
| 19397 | Adapter/Driver | | |

NOTE: Each tool part number can also be ordered separately.

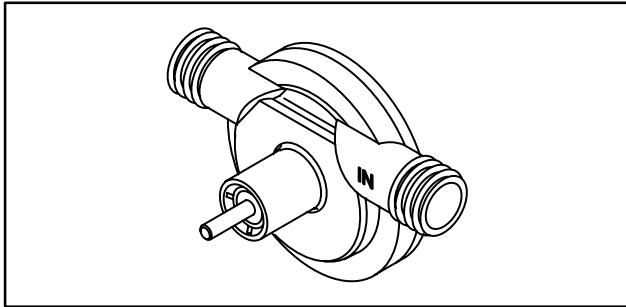
INDIVIDUAL TOOLS



5054B Rewind Tool

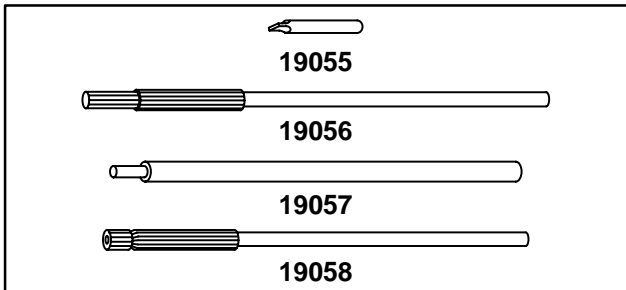
For replacing rewind spring and starter ropes.

For use on engines equipped with ratchet style starter clutches.



5056 B Pump, Oil Evacuator

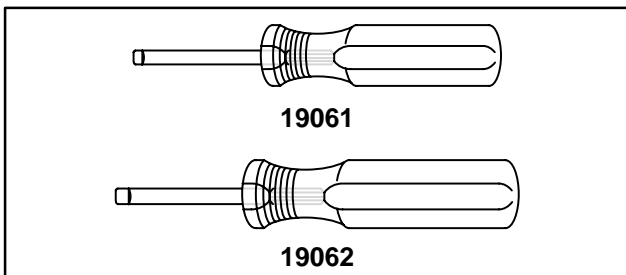
Handy tool for draining oil from engines with restricted access. Use with an electric drill. Inlet and outlet hose included.



Breaker Point Plunger Hole Servicing

Servicing breaker point plunger hole – order separately:

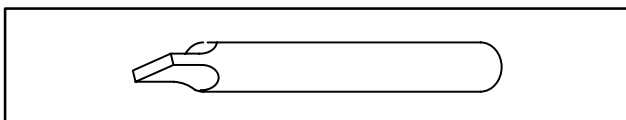
- 19055 Plug Gauge
- 19056 Reamer – Counterbore
- 19057 Bushing Driver
- 19058 Reamer – Finish



Screwdrivers – Carburetor Jet

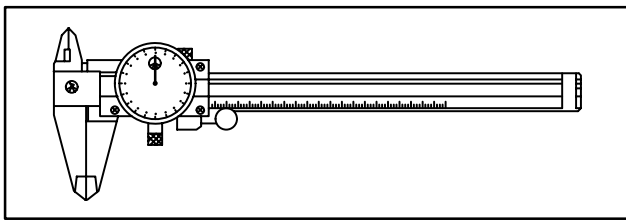
For removing most carburetor jets.

- 19061 Screwdriver
- 19062 Screwdriver



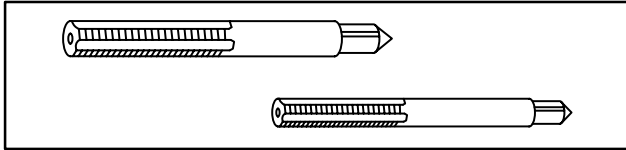
19164 Cam Bearing Plug Gauge

For checking cam gear bearings for wear – most engine models.



19199 Dial Caliper

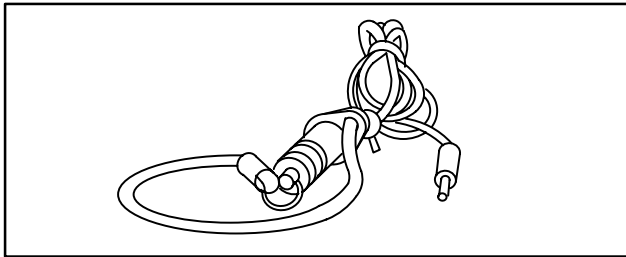
Range: 0" to 6"
(0 to 152.4 mm)



19245 Carburetor Tap Set

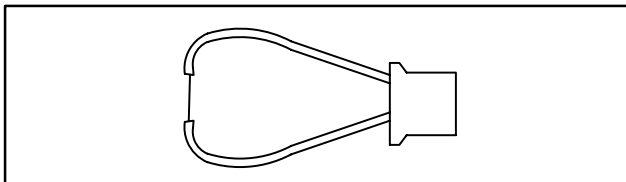
For cleaning threads in 2 piece flo-jet carburetor.

- 5/16"-32 NEF
- 1/4"-32 NEF



@19260 Trip Cord and Switch

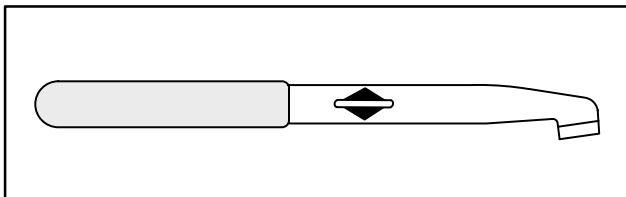
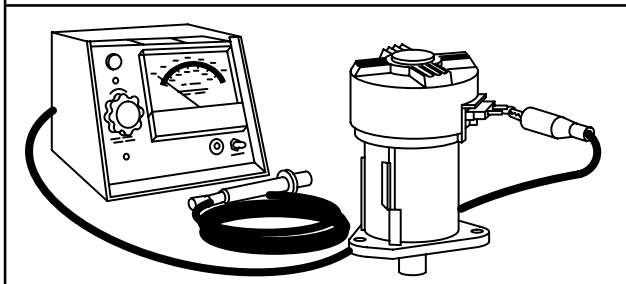
Replacement parts for Blade Monitor



@19278 Test Plug Adapter

Test plug adapter serves as a convenient connector for HI-POT testing 120 volt electric motor.

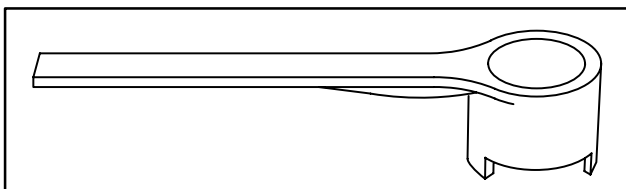
IMPORTANT: Refer to Electric Motor Service and Repair Instructions manual, MS-8247, for detailed HI-POT testing procedures.



19305 Carburetor Offset Screwdriver

For removing carburetor from 3 HP and 5 HP horizontal crankshaft engines.

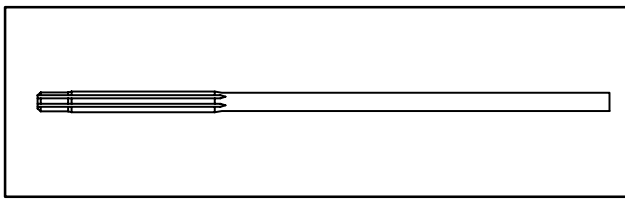
Offset feature allows access to lower carburetor mounting screw for quick removal.



19310 Flywheel Holder

For holding flywheel on Quantum® engine Model Series 100700.

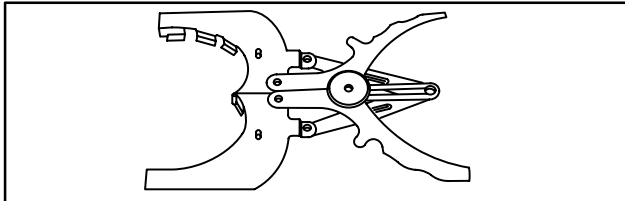
@ Subject to remaining factory inventory



19333 Governor Bushing Reamer

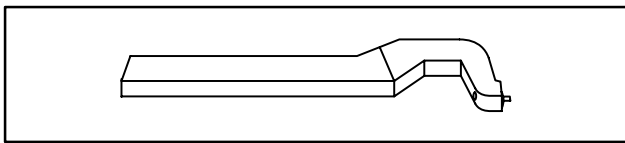
For finish reaming 1/4" (6.35 mm) governor shaft bushing, after installation.

3 HP to 16 HP single cylinder mechanical governor engines.



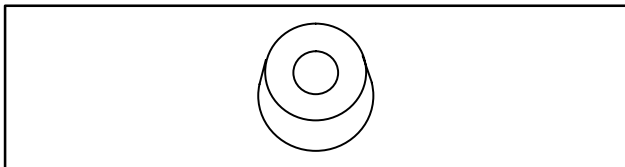
19340 Ring Expander

For removing and installing piston rings. Minimizes ring distortion and breakage. All engine models.



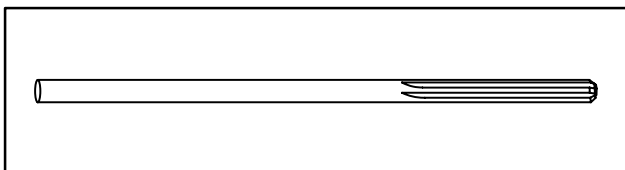
19344 Roll Pin Driver

For installing roll pin in magneto main bearing on V-Twin Vanguard™ engines.



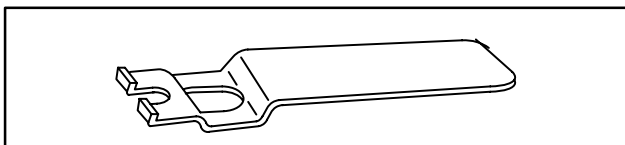
19345 Reamer Guide

For guiding the 19346 reamer while finish reaming valve guide bushing in Vanguard™ engines.



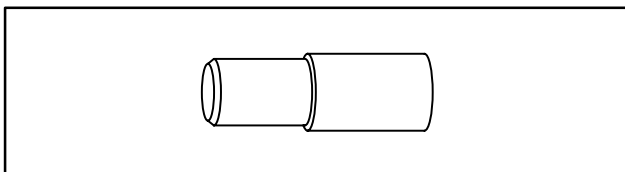
19346 Valve Guide Reamer

For finish reaming single cylinder Vanguard™ engine Models 104700, 161400, 260700, 261700 valve guide bushing after installation.



19347 Valve Spring Compressor

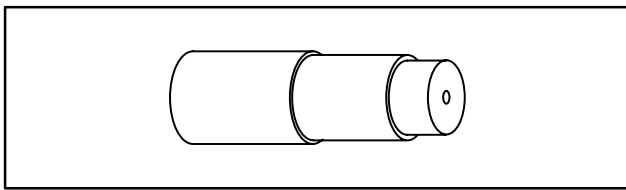
For compressing valve springs, most Vanguard™ engine models.



19349 Bearing Driver

For replacing magneto side main bearing on V-Twin Vanguard™ engines built before 97050100

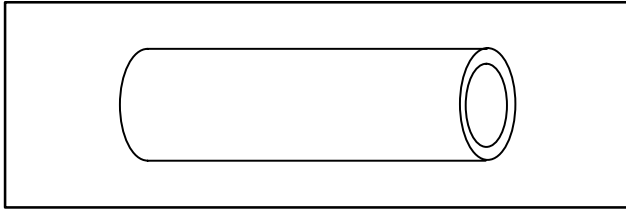
Use with 19227 Cylinder Support Tool.



19350 Bearing Driver

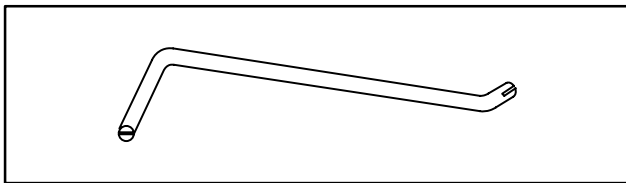
For replacing magneto side main bearing on Vanguard™ engine Model 161400.

Use with 19351 Cylinder Support Tool.



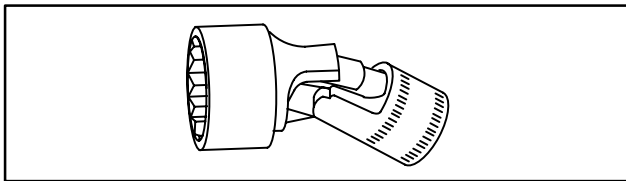
19351 Cylinder Support

For replacing magneto side main bearing on Vanguard™ engine Model 161400.



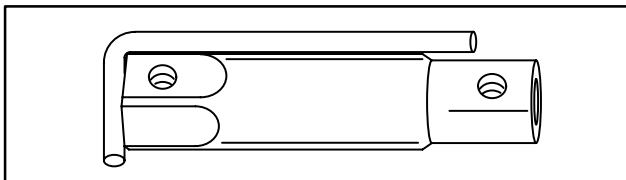
@19352 Tang Bender

For all V-Twin Vanguard™ engines. Used for setting top no load and governed idle engine speed.



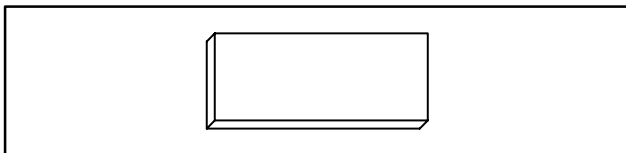
19353 Universal Socket

13 mm, 12 point, 1/4" Drive. For removing electric starter mounting screws. All V-Twin Vanguard™ engines.



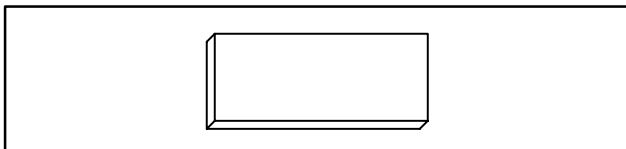
19374S Spark Plug Wrench

For removing 5/8" and 13/16" hex head spark plugs.



19375 Main Bearing Plug Gauge

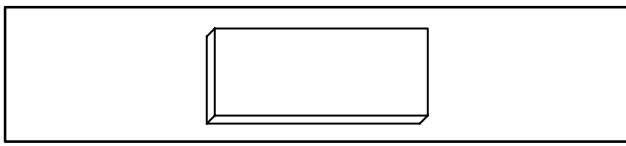
For checking sump bearing for wear – engine Models 97700, 99700, 100700, 120000.



19377 Main Bearing Plug Gauge

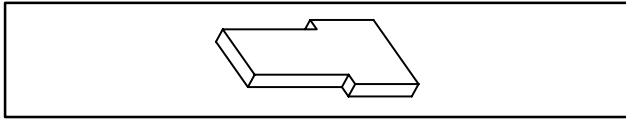
Checking magneto bearing for wear – Vanguard™ engine Model 161400.

@ Subject to remaining factory inventory



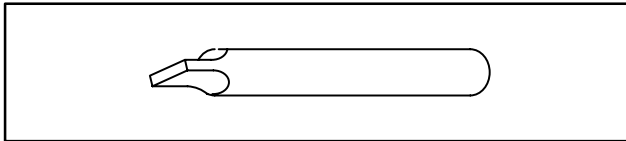
19378 Main Bearing Plug Gauge

Checking magneto and PTO bearing for wear – Vanguard™ engine Models 260700, 261700.



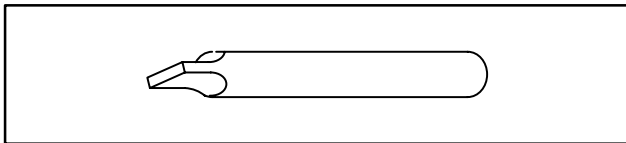
19380 Main Bearing Plug Gauge

Checking magneto and PTO bearing for wear – V-Twin Vanguard™ engines.



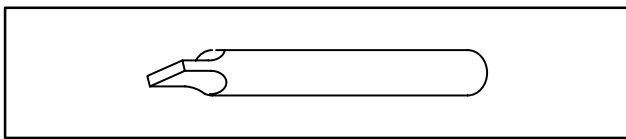
19381 Valve Guide Plug Gauge

Checking valve guides for wear – Vanguard™ engine Models 104700, 161400, 260700, 261700 and single cylinder OHV Model 280000.



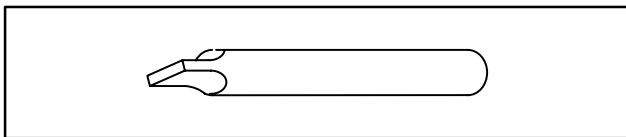
19382 Valve Guide Plug Gauge

Checking valve guides for wear – V-Twin Vanguard™ engines. Also, single cylinder Vanguard™ engine Models 85400, 115400, 185400, 235400 and 245400.



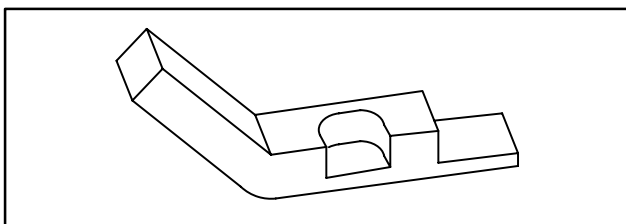
19383 Cam Bearing Plug Gauge

Checking cam gear bearings for wear – Vanguard™ engine Models 161400, 260700, 261700.



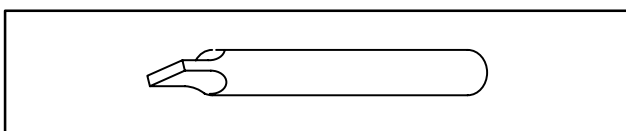
19384 Cam Bearing Plug Gauge

Checking cam gear bearing for wear – Mag. side V-Twin Vanguard™ engines.



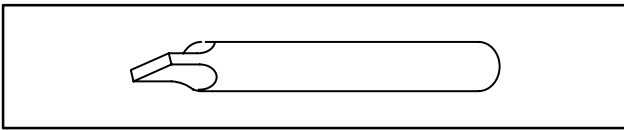
19385 Adjustment Gauge

For adjusting secondary governor spring. V-Twin Vanguard™ engines.



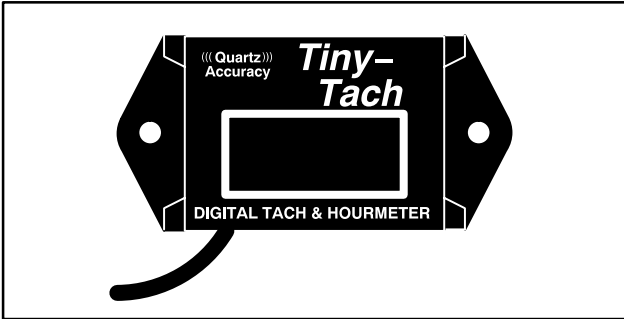
19386 Cam Bearing Plug Gauge

Checking cam gear bearing for wear – PTO side V-Twin Vanguard™ engines.



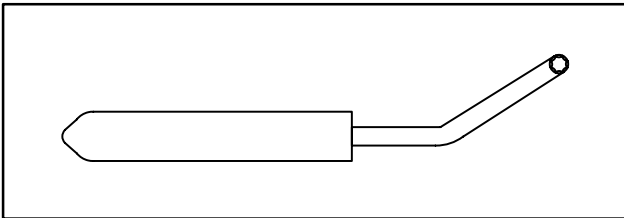
19387 Cam Bearing Plug Gauge

For checking cam gear bearings for wear. Engine Models 97700, 99700.



19389 Digital Tachometer & Hourmeter

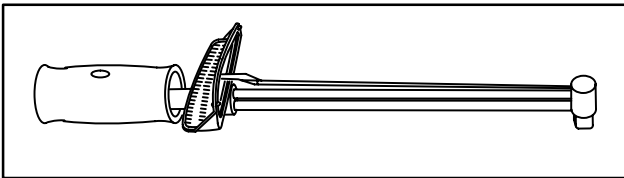
Meter displays RPM while engine is running. When engine is stopped, meter displays elapsed time.



19391 Carburetor Offset Screwdriver

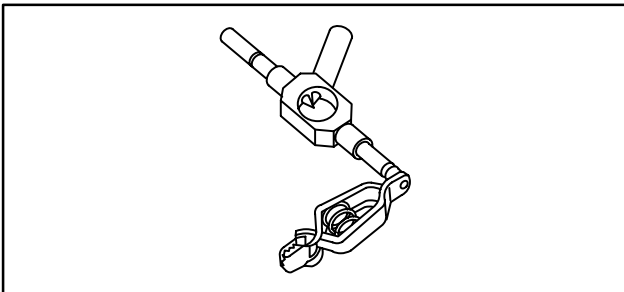
For removing carburetor from 3 HP and 5 HP horizontal crankshaft engines with Torx® mounting screws.

Offset feature allows access to carburetor mounting screw for quick removal.



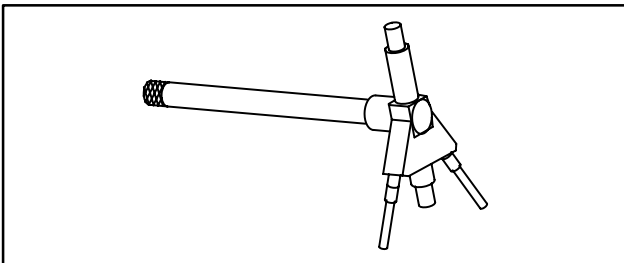
19393 Torque Wrench

Range: 0 to 300 Inch Pound
(0 to 346.8 Kgcm)
(0 to 34.0 Nm)



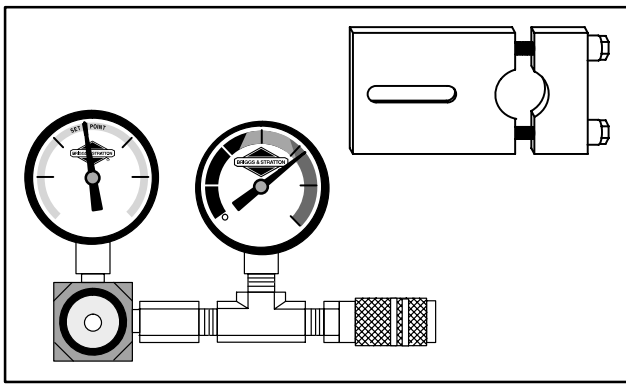
19400 Spark Tester

Special Air Gap of .400" (10 mm) for use on Vanguard™ 3 Cylinder Liquid Cooled Engines.



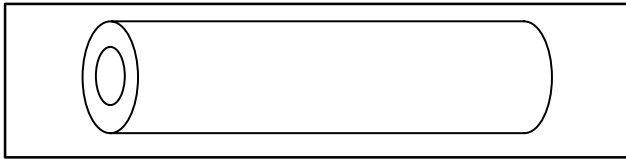
19404 Telescoping Gauge

Range: 2" to 3-1/2"
(50.8 to 88.9 mm)



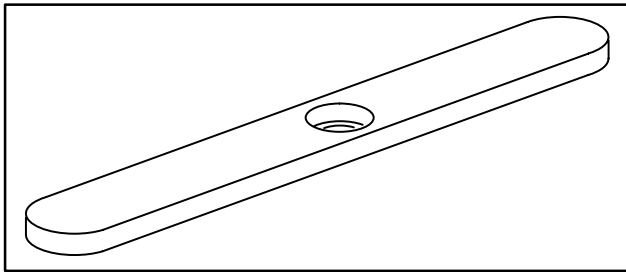
19475 Leakdown Tester

Used to test the sealing capabilities of the compression components of all engines. Comes with crankshaft clamp.



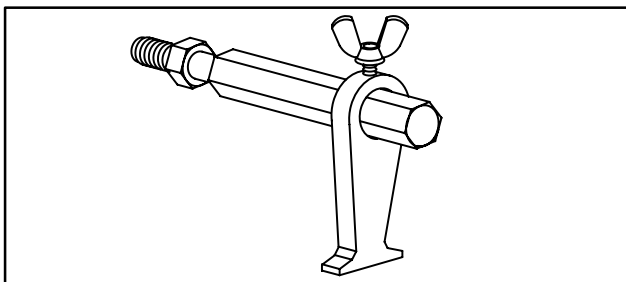
19416 Valve Guide Driver

For installing valve guide bushings on Vanguard™ 3 cylinder liquid cooled engines.



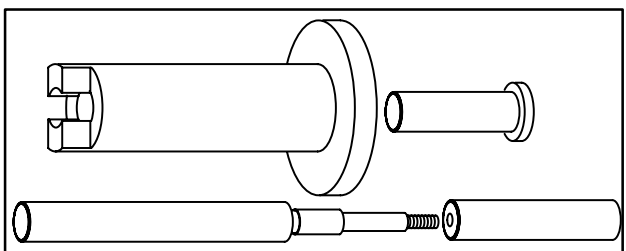
19417 Valve Spring Compressor

For removing and installing valves on Vanguard™ 3 cylinder liquid cooled engines.



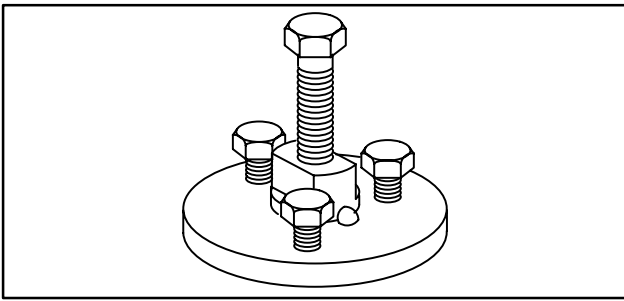
19418 Flywheel Holder

For removing and installing flywheel on Vanguard™ 3 cylinder liquid cooled engines.



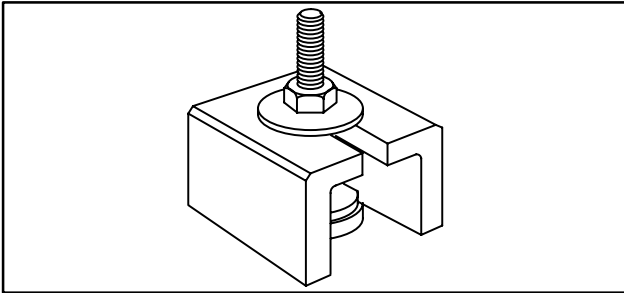
19419 Piston Pin Fixture

For removing and installing piston pin on Vanguard™ 3 cylinder liquid cooled gasoline engines.



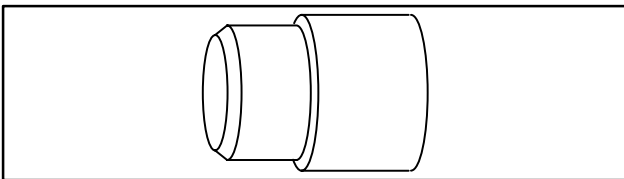
19420 Puller, Crankshaft Pulley

For removing crankshaft pulley on Vanguard™ 3 cylinder liquid cooled engines.



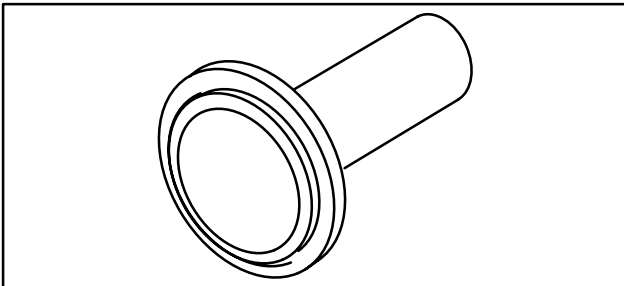
19421 Puller, Camshaft Bearing

For removing camshaft bearing on Vanguard™ 3 cylinder liquid cooled engines.



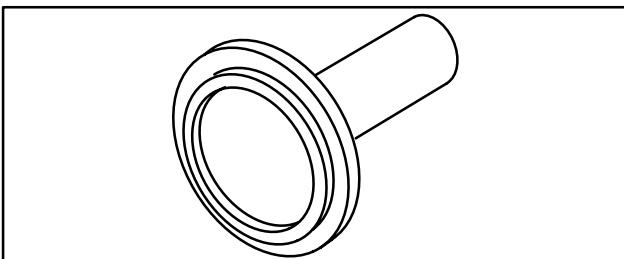
19422 Driver, Camshaft Bearing

For installing camshaft bearing on Vanguard™ 3 cylinder liquid cooled engines.



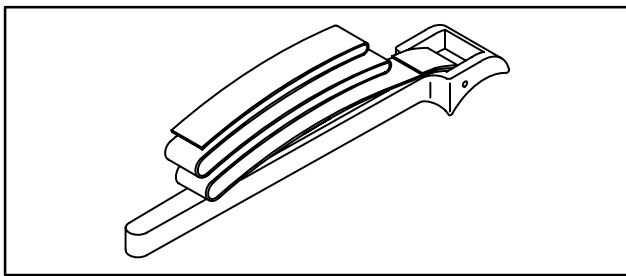
19423 Driver, Oil Seal

For installing timing gear cover oil seal on Vanguard™ 3 cylinder liquid cooled engines.



19424 Driver, Oil Seal

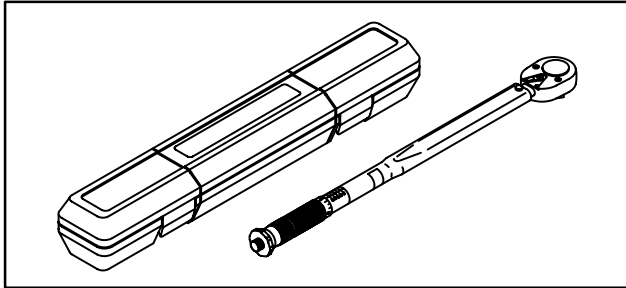
For installing rear oil seal on Vanguard™ 3 cylinder liquid cooled engines.



19433 Flywheel Strap Wrench

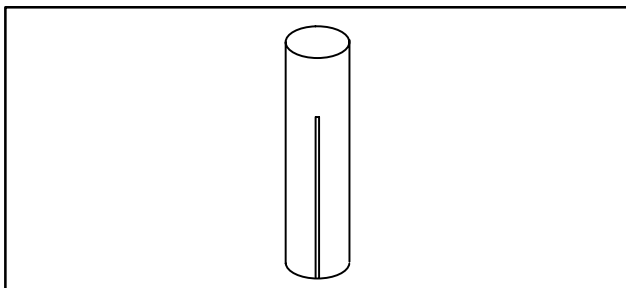
For holding flywheel while removing and torquing flywheel nut. All engine models.

NOTE: Replacement strap is available separately. Order Part #19448.



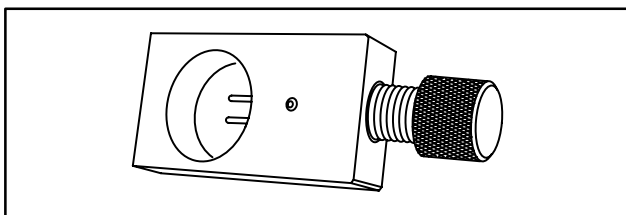
@19434 Foot Pound Torque Wrench

Adjustable click type with ratchet
0-150 Ft. Lbs.



19435 C-Ring Installation Tool

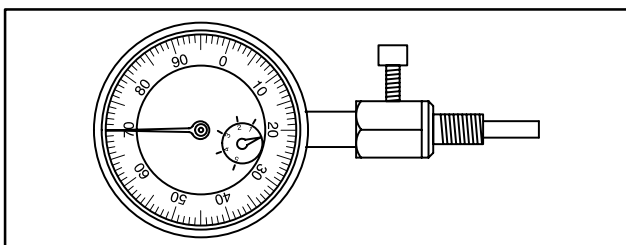
Installing new C-ring on starter motor when replacing starter motor drive.



@19436 C-Ring Removal Tool

For removing C-ring on starter motor when replacing starter motor drive.

NOTE: Replacement drive pins available separately. @Order part #19447.



19441 Dial Indicator

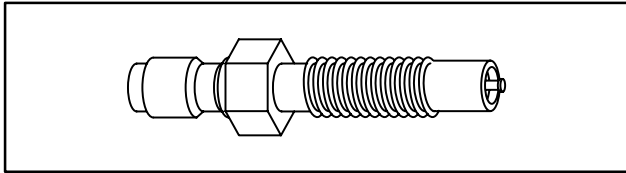
For timing injector pump on Vanguard™ 3 cylinder liquid cooled diesel engines.

@ Subject to remaining factory inventory



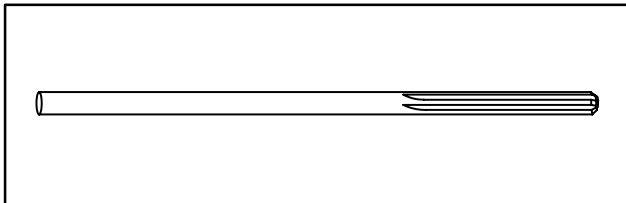
19442 Torqux Star Bits

To remove and install Torx® screws. In handy pouch.
T-10, T-15, T-20, T-25, T-27, T-30, T-40, T-45
Bit length 3.75 inches.



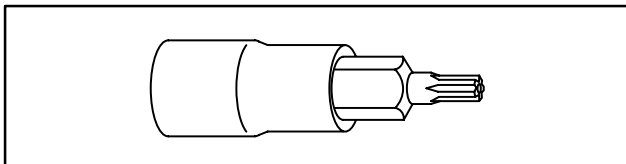
19443 Compression Test Adaptor

For testing compression on Vanguard™ 3 cylinder liquid cooled diesel engines.



19444 Valve Guide Reamer

For finish reaming Vanguard™ V-Twin valve guides after installation. Also used for cleaning valve guides on Vanguard™ three cylinder liquid cooled engines. Use with 19345 Reamer Guide.



19445 Torx® Driver

For installing tamper proof screws in governor paddle – Vanguard™ 3 cylinder liquid cooled gasoline engines.

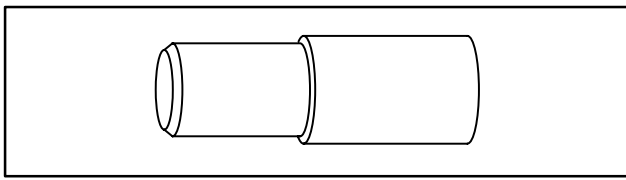


19446 Neway Valve Seat Cutter Kit

For reconditioning 30° and 45° angle valve seats on Vanguard™ 3 cylinder liquid cooled engines.

Includes 15° cutter for top cutting 30° angle seats.

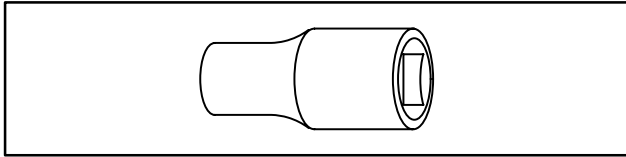
Includes 6.0 and 6.02 mm pilots.



19450 Bearing Driver

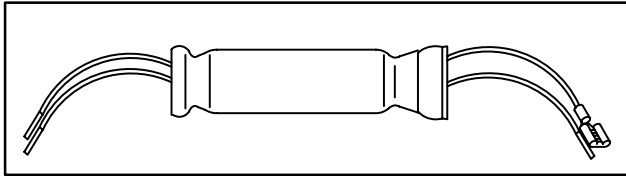
For replacing magneto side main bearing on V-Twin Vanguard™ engines built after 97043000.

Use with 19227 Cylinder Support Tool.



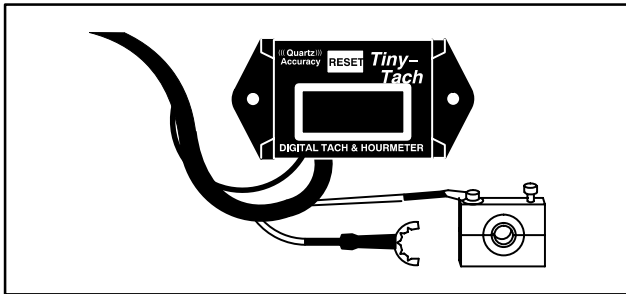
19455 Torx® Socket

Remove and install carburetor mounting studs on Intek™ V-Twins.



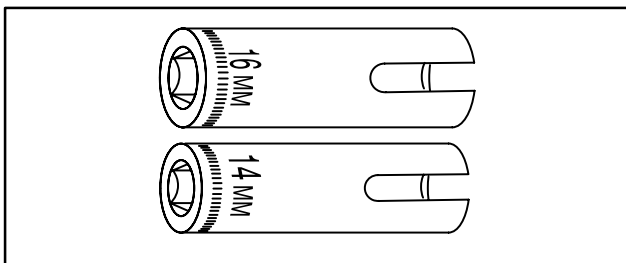
19456 Tachometer Adaptor

When attached to ignition module, permits use of Digital Tachometer, 19389 on Vanguard™ 3 cylinder liquid cooled gasoline engines.



19457 Digital Tachometer & Hourmeter

For use on Vanguard™ 3 cylinder liquid cooled diesel engines with 6mm diameter fuel lines.



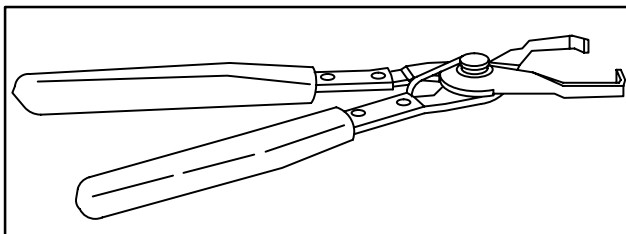
19460 Carburetor Socket Set

Remove and install main jet housing on Intek™ V-Twins.

Sockets may also be ordered separately

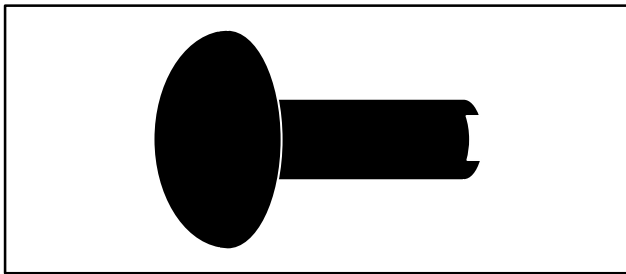
19458 – 14 mm

19459 – 16 mm



19461 Primer Bulb Removal Tool

For quick and easy removal of primer bulb and retainer on engines equipped with primer bulb system.



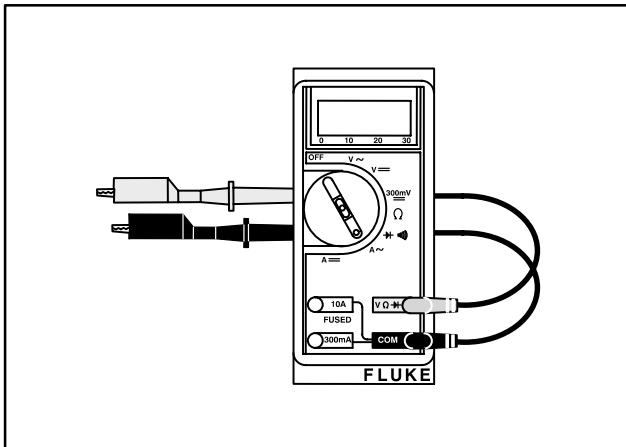
19462 Primer Bulb Installation Tool

Installs new primer bulb and retainer in a “snap”.



19463 Quick Clamp Transducer

Use with 19457 Digital Tachometer and hourmeter. Quick clamp design with spring loaded post terminal for easy installation and removal.



19464 Digital Multimeter

Use for diagnosing and testing electrical, charging and starting systems.

Meter Features:

Volts Scale:	0 to 750 AC
	0 to 1000 DC
Ohms Scale:	0 to 320,000,000
Amperage – AC, DC	0 to 10 Continuous
	0 to 20 for 30 Seconds

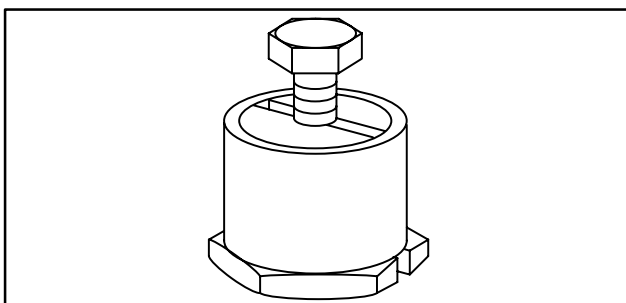
Audible Diode Test
Audible Continuity Test
Auto Ranging

Replacement Fuse: Order Part No. 19449



19465 Valve Adjustment Set

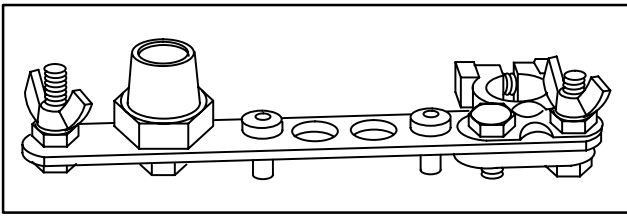
For adjusting valves on Vanguard™ and Intek™ V-Twin engines. Offset 13 mm wrench with 5 mm hex and T-40 torx drivers.



@19467 Starter Ring Removal / Installation Tool

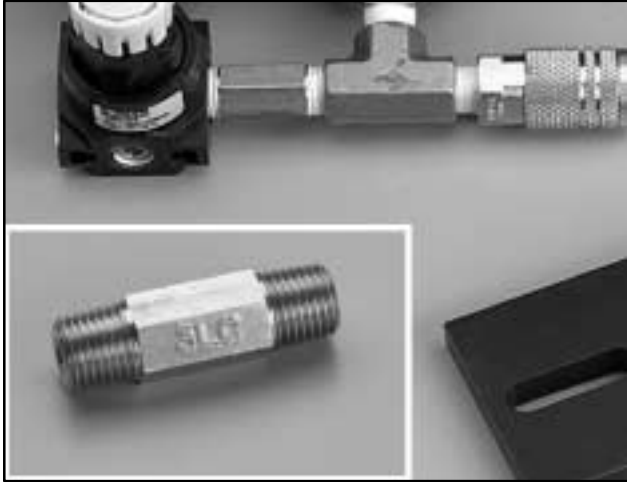
For removing and installing “C” rings on steel pinion starter drives with rubber dust cover.

@ Subject to remaining factory inventory



19468 DC AMP Shunt

An improved version of a valuable diagnostic tool. Color coded receptacles hold digital multimeter leads securely while testing. This tool works with any digital multimeter with a milivolt scale.



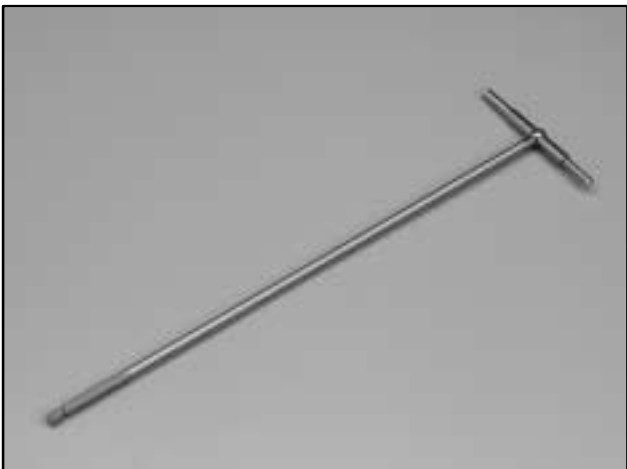
19478 Orifice

Calibrated specifically for use with 19475 Leakdown Tester on 3 L/C engines.



19480 Tang Bender

For all engines. Used for setting top no load and governed idle speeds.



19485 Telescoping Gauge

Twelve inch (304 mm) length handle will reach the bottom of any cylinder bore.

Range: 2 in. – 3 1/2 in. (51 – 81 mm).



19487 Dial Bore Gauge

Fast, accurate method of checking cylinder bore size, taper and out of round.

Range: 1.960 – 6.185 in.



19489 Flywheel Holder

For use on engines equipped with fan retainer.

280000 & 310000 single cylinder engines

V-Twin Vanguard™

Opposed Twin

V-Twin Intek™



19491 Alternator Wrench

For use on 3 L/C engines. Holds alternator pulley nut when removing and installing alternator pulley.

Also handy when rotating crankshaft when adjusting valve clearance.



19493 Mity Vac Pressure/Vacuum Pump

Check carburetor inlet needles and seats for leakage.

Check pressure switches.

Check dash pot pull off on 3 L/C choke.



19495 Digital Crankcase Vacuum Tester

Extremely accurate and simple tool for measuring crankcase vacuum.

Modify an old dipstick or oil fill plug by installing a barbed connector and attach the hose from the gauge.

Check crankcase vacuum with engine running at top no load speed.



19497 Universal Socket

12 mm 6 point socket for removing and installing starter motors on current Vanguard™ V-Twin Engines, and 3 L/C diesel injection pumps.



19499 AC/DC Current Clamp

Use with 19464 Digital Multimeter.

A quick alternative to the DC shunt for checking charging output and starter motor current draw.



Individual Torquex Drivers

Individual Torquex replacement bits

19503 – T-10

19506 – T-27

19504 – T-15

19507 – T-30

19505 – T-20

19508 – T-40

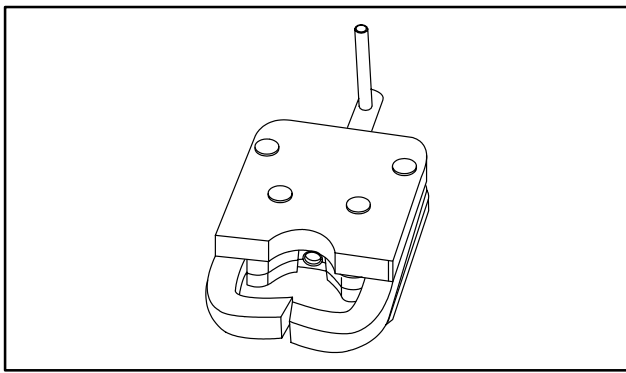
19483 – T-25

19509 – T-45



19518 Torx Driver

For removing and installing tamper proof screw used on Touch "N" Mow™ starters.

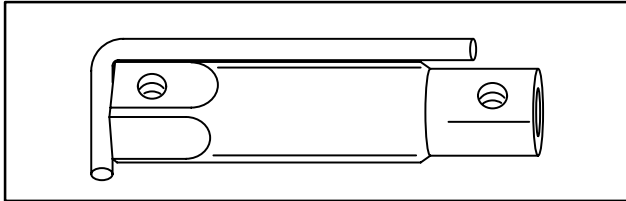


19552 C-Ring Removal Tool

For removing C-ring on starter motor when replacing starter motor drive.

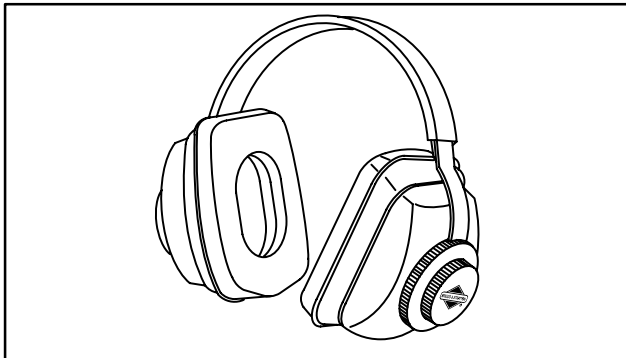
All models.

Replaces 19436



89838 Spark Plug Wrench

For removing 13/16" and 3/4" hex head spark plugs.



100022 Advanced Hearing Protectors

Advanced hearing protector reduces dangerous high frequency noise levels. Wear when operating equipment for extended time periods.

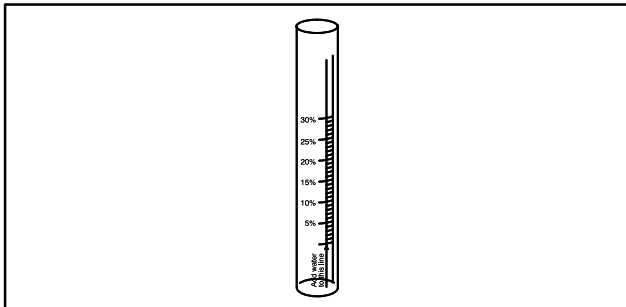
Noise Reduction Rating

Behind the Head Position 23 decibels

Under the Chin Position 24 decibels

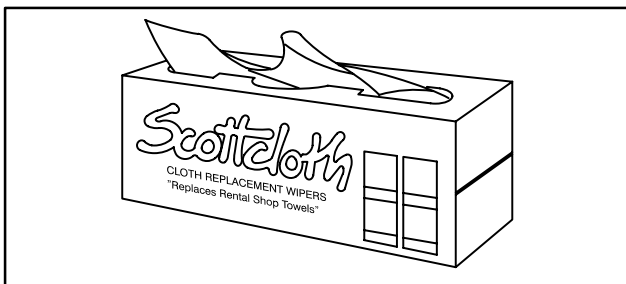
Over the Head Position 25 decibels

The range of noise reduction ratings for existing hearing protectors is approximately 0 to 30. (High numbers denote greater effectiveness.)

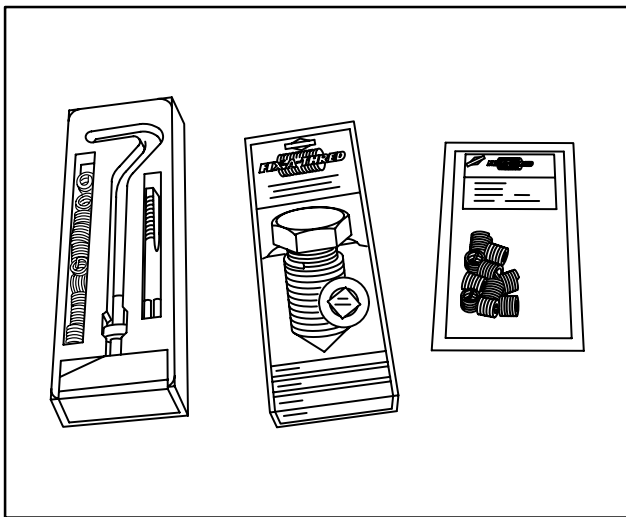


100023 Alcohol Tester

Use to determine the alcohol content in gasoline.



100054 Heavy Duty Shop Towels



Fix-A-Thread Kits

For repairing damaged and stripped threads.

- 100024 – Thread Repair Kit Master
- * 100007 – Thread Repair Kit 10-32
- * 100008 – Thread Repair Kit 1/4-20
- * 100009 – Thread Repair Kit 5/16-18
- 100010 – Thread Repair Kit M5x.8
- 100011 – Thread Repair Kit M6x1
- 100012 – Thread Repair Kit M8x1.25
- * 100013 – Thread Repair Kit 14 mm Spark Plug

***Included in 100024 Master Kit**

Thread Insert Refills

- 4185 – 10-32 Refill
- 4186 – 1/4-20 Refill
- 4187 – 5/16-18 Refill
- 4188 – M5x.8 Refill
- 4189 – M6x1 Refill
- 4190 – M8x1.25 Refill
- 4191 – 14 mm Spark Plug-3/8"
- 4192 – 14 mm Spark Plug-3/4" (Vanguard™)



Aerosol Spray Paint

Fast drying, lacquer base, and gasoline resistant

13 ounce (369g) spray can

Available colors, order separately:

- 271400 – Gloss Black
- 271401 – Pearl White
- 271402 – Ice White
- 271403 – Satin Black
- 271404 – Industrial Gray
- 271405 – Pewter Mist
- 271675 – American Red



SERVICE TIPS AND TOOLS



Order the "Service Tips And Tools" booklet for additional handy service tips and tool information. This booklet is a collection of the best tips and suggestions submitted by dealers and technicians throughout the world. Who knows, you may have an idea or suggestion that you would like to share. The booklet is available for \$1.00. Order **CE8006** from the address shown below.

The Briggs & Stratton Customer Education Department has actively solicited our dealer network for their favorite service tips and tools for a number of years. This booklet, "Service Tips and Tools" is a collection of the best. As dealers try these tips and tools, we invariably hear the comment, "I don't know how I got along without it". Time is money. A tip or tool that saves time and frustration is worth its weight in gold.



To those of you who have sent in a tip or a tool, a hearty thank you! Not just from Briggs & Stratton, but from the thousands of dealers who benefited as well. To those of you who haven't gotten around to it yet, send them in!



If you have a service tip or special tool that makes your life easier, describe it on a postcard and send it to the address below. If possible, send a sample of the tool, photo and/or drawing as well. If we publish your tip or tool, we will send you a handsome Briggs & Stratton jacket and hat. Be sure to include your full name, address and company you work for.



(Please type or print clearly)

YOUR NAME COMPANY NAME ADDRESS CITY, STATE, ZIP	Stamp
BRIGGS & STRATTON CORPORATION ATTN CUSTOMER EDUCATION DEPARTMENT PO BOX 702 MILWAUKEE WI 53201-0702	



Part # 274041

SMALL ENGINE CARE & REPAIR BOOK

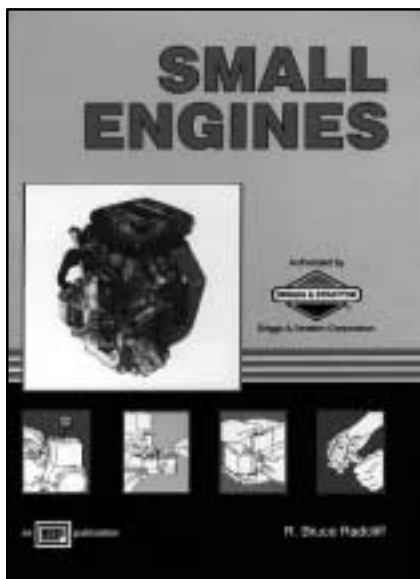
For the novice – a step-by-step guide to small engine care and repair. The full color book is 128 pages and includes over 300 color photos and easy-to-follow instructions. Concepts are introduced that apply to virtually every small engine making this appealing to a very broad audience. It offers consumers a step-by-step guide for saving money through preventive maintenance and do-it-yourself repair. Includes a troubleshooting section to easily diagnose common small engine problems. Features Introductory projects that require no prior knowledge, as well as advanced projects for the experienced repair person. Utilizes the Briggs & Stratton name which is recognized worldwide as the small engine leader.

ANTIQUE REPAIR MANUAL

A must for the collector and old engine enthusiast. Covers repair procedures and specifications for all Briggs & Stratton cast iron and aluminum engines manufactured from 1919 to 1981.



Part # CE8069



Part # CE8020

SMALL ENGINES TEXTBOOK

Recently released by American Technical Publications of Homewood, Illinois, the Briggs & Stratton written textbook, *Small Engines*, is already destined to become the definitive work within the industry. This comprehensive hardbound volume boasts 322 pages and 321 illustrations.

All OEM engine manufacturers produce repair manuals which supply the “how-to” of most repair jobs. Few industry or outside publications provide much in the way of “why.” *Small Engines* concentrates on the theory of operation relating to all major engine systems. Both air cooled and water cooled engines are covered.

Small Engines is supported by a Student Workbook CE8021 containing review questions on three different levels addressing the skills and acquired knowledge of beginners, intermediate students and those with advanced abilities.

USE GENUINE

BRIGGS & STRATTON

SERVICE PARTS



Briggs & Stratton Corporation

Milwaukee, Wisconsin 53201

Printed in U.S.A.

Form MS-8746-9/01